

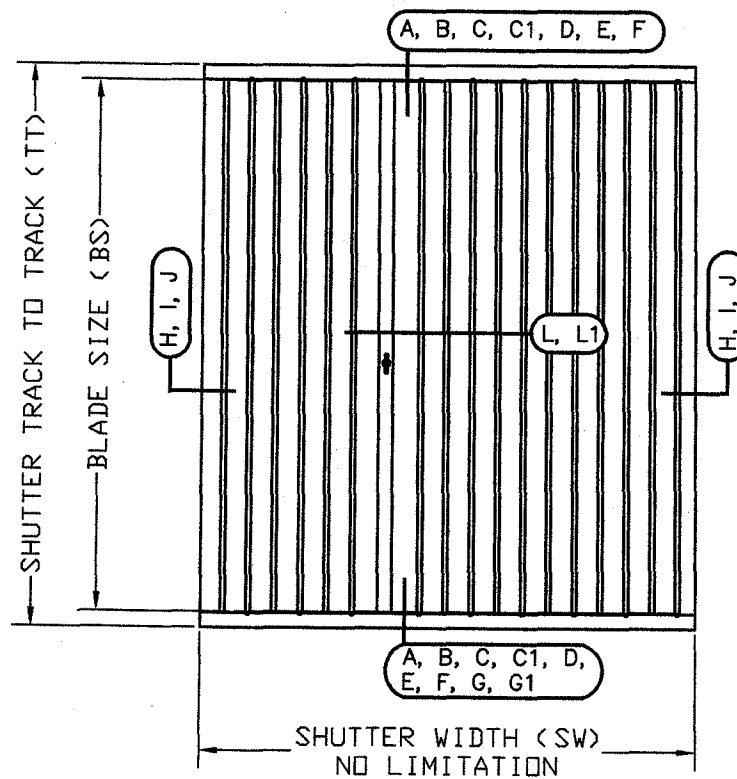
**TABLE OF CONTENTS:**

- SHEET 1- TABLE OF CONTENTS, GENERAL NOTES, TYPICAL ELEVATION, ALLOWABLE BLADE PRESSURE TABLE 1
- SHEET 2- SECTIONS A, B & C1 WITH ANCHORAGE TABLES
- SHEET 3- SECTIONS D, E, F & G WITH ANCHORAGE TABLES
- SHEET 4- SECTIONS C & G1 WITH ANCHORAGE TABLES
- SHEET 5- JAMB SECTIONS J, H, H1 & I
- SHEET 6- LOCK SECTION L, MALE & FEMALE STACK
- SHEET 7- LOCK SECTION L1, UNIMATE STACK
- SHEET 8- BILL OF MATERIALS, ANCHOR SCHEDULE & BLADE ASSEMBLY.
- SHEET 9- COMPONENTS

**GENERAL NOTES: (FLORIDA BUILDING CODE 2017 - 6th edition)**

- 1- DEFINITION: THIS PRODUCT IS AN ACCORDION TYPE SHUTTER; DESIGNED, CONSTRUCTED AND ERECTED TO EASILY ENCLOSE AN AREA, PROVIDING PROTECTION FROM HURRICANE FORCE WINDS AND WIND BORNE DEBRIS (LARGE & SMALL MISSILE) WITHIN THE ALLOWABLE DESIGNED PRESSURES AND LIMITATIONS STATED IN THIS APPROVAL.
- 2- CODE: THIS PRODUCT HAS BEEN TESTED AND DESIGNED IN ACCORDANCE WITH THE FLORIDA BUILDING CODE UNDER TAS 201, 202 AND 203.
- 3- POSTING: A PERMANENT LEGIBLE DECAL SHALL BE PLACED AT BOTTOM OF THE LOCKING BAR OR CENTER MATE FACING THE EXTERIOR OR OUTSIDE AS PER FLORIDA BUILDING CODE.
- 4- LOADS: DESIGNED LOAD CALCULATED BASED ON THE ASCE 7 AND PROVIDED BY A PROFESSIONAL ARCHITECT OR ENGINEER FOR EACH SPECIFIC PROJECT. THE CALCULATED DESIGNED PRESSURE MUST NOT EXCEED THE ALLOWABLE PRESSURES FOR EACH SHUTTER COMPONENT TO BE USED.
- 5- MATERIAL: ALL EXTRUDED ALUMINUM SHAPES SHALL BE MADE OF 6063-T6 OR AS NOTED.
- 6- FASTENERS: ASSEMBLY SCREWS AND ANCHORS SHALL BE AS SPECIFIED IN THE CURRENT SET OF DRAWINGS. INSTALLATION AND LOADS AS PER THIS APPROVAL.
- 7- USE: IT SHALL BE THE RESPONSIBILITY OF THE CONTRACTOR, ARCHITECT OR ENGINEER OF RECORD TO VERIFY THE FOLLOWING:
  - 7.1- THE STABILITY OF THE STRUCTURE WHERE THE SHUTTER IS TO BE ATTACHED INSURING PROPER ANCHORAGE.
  - 7.2- THE SITE SPECIFIC PROJECT CRITERIA, SUCH AS BUT NOT LIMITED TO, WIND LOADS, LOCAL CODE REQUIREMENTS, DESIGNED PRESSURES ETC.
  - 7.3- THAT THIS APPROVAL IS ADEQUATE TO THE SPECIFIC PROJECT.
- 8- 33 1/3% INCREASE IN ALLOWABLE LOADS HAVE NOT BEEN USED IN THE DESIGN OF THE ANCHORS FOR THIS PRODUCT APPROVAL. HOWEVER, WOOD ANCHORS WITH 1.6 LOAD DURATION INCREASE FOR WIND LOAD HAVE BEEN USED.

**TYPICAL ELEVATION**

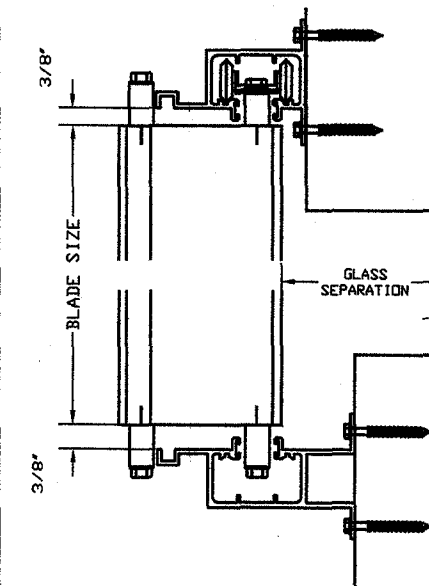


**USER INSTRUCTIONS:**

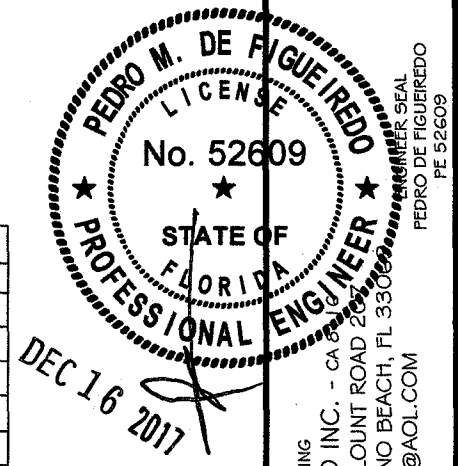
- 1- DETERMINE PROJECT DESIGN WIND LOAD PRESSURES AS PER ITEM 4 OF GENERAL NOTES, SHEET 1.
- 2- CHECK BLADE SIZE WITH TABLE 1 ON SHEET 1 FOR ALLOWABLE DESIGN PRESSURE.
- 3- SELECT MOUNT TYPE TO BE USED AS PER SHEETS 2, 3 & 4. MOUNT TYPES ARE INTERCHANGEABLE.
- 4- CALCULATE ANCHOR SPACING FUNCTION OF BLADE SIZE AND PRESSURE FOR EACH SPECIFIC MOUNT TYPE AS PER SHEETS 2, 3 & 4.

**TABLE 1  
ALLOWABLE DESIGNED LOADS  
X  
MAXIMUM BLADE SIZE**

BLADE (IN) INCHES	PRESSURE (PSF)	
	POSITIVE	NEGATIVE
60"	188	188
66"	170	170
72"	156	156
78"	144	144
84"	134	134
90"	125	125
96"	117	117
102"	110	110
108"	102	102
114"	92	92
120"	83	83
126"	75	75
132"	69	69
138"	59	63
144"	49	58
150"	42	52



GLASS SEPARATION		
INSTALLATION BELOW 30' ELEVATION	BLADE <=120" 3 1/2"	BLADE >120" 4 3/4"
INSTALLATION ABOVE 30' ELEVATION	BLADE <=120" 3"	BLADE >120" 3"

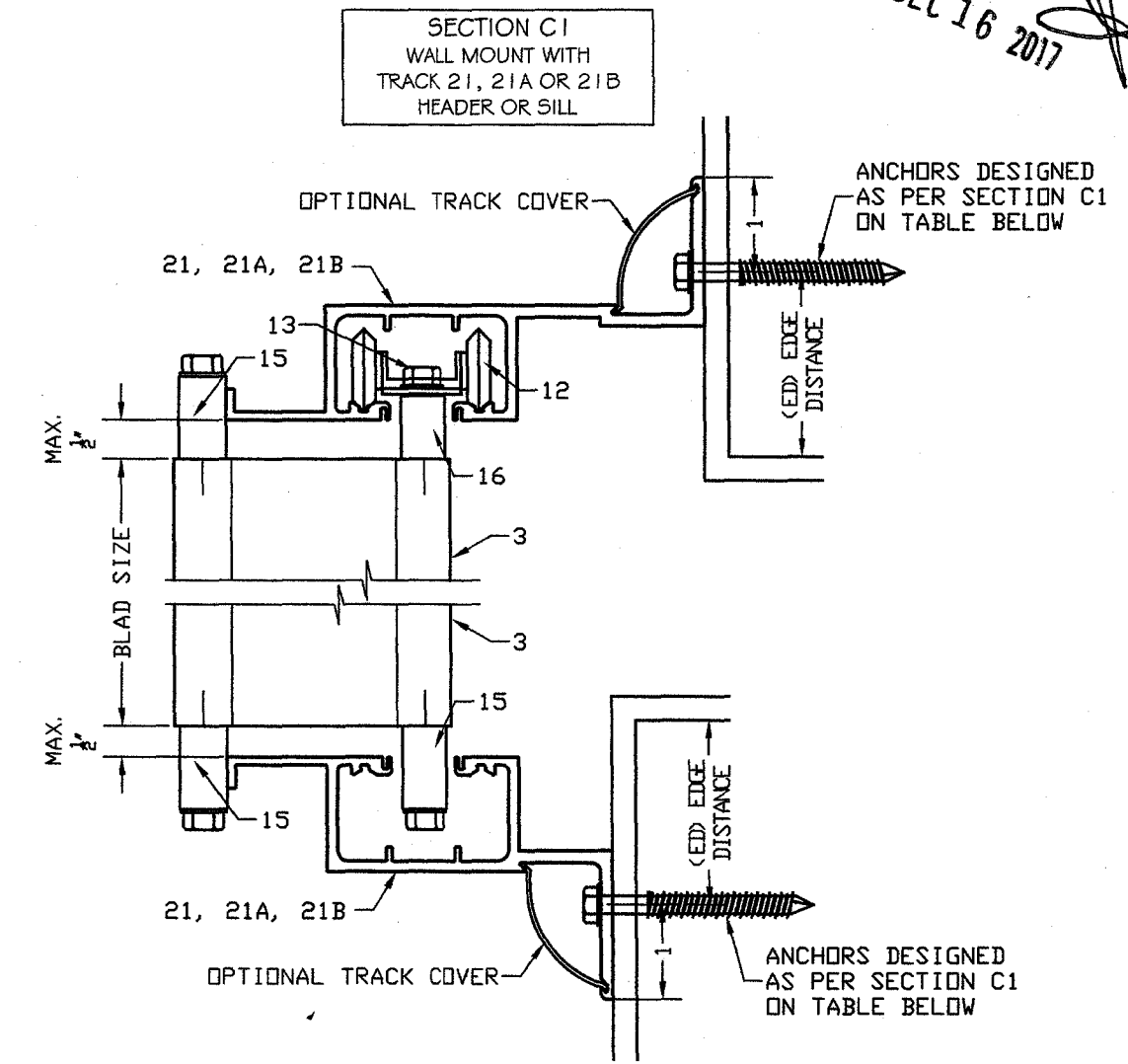
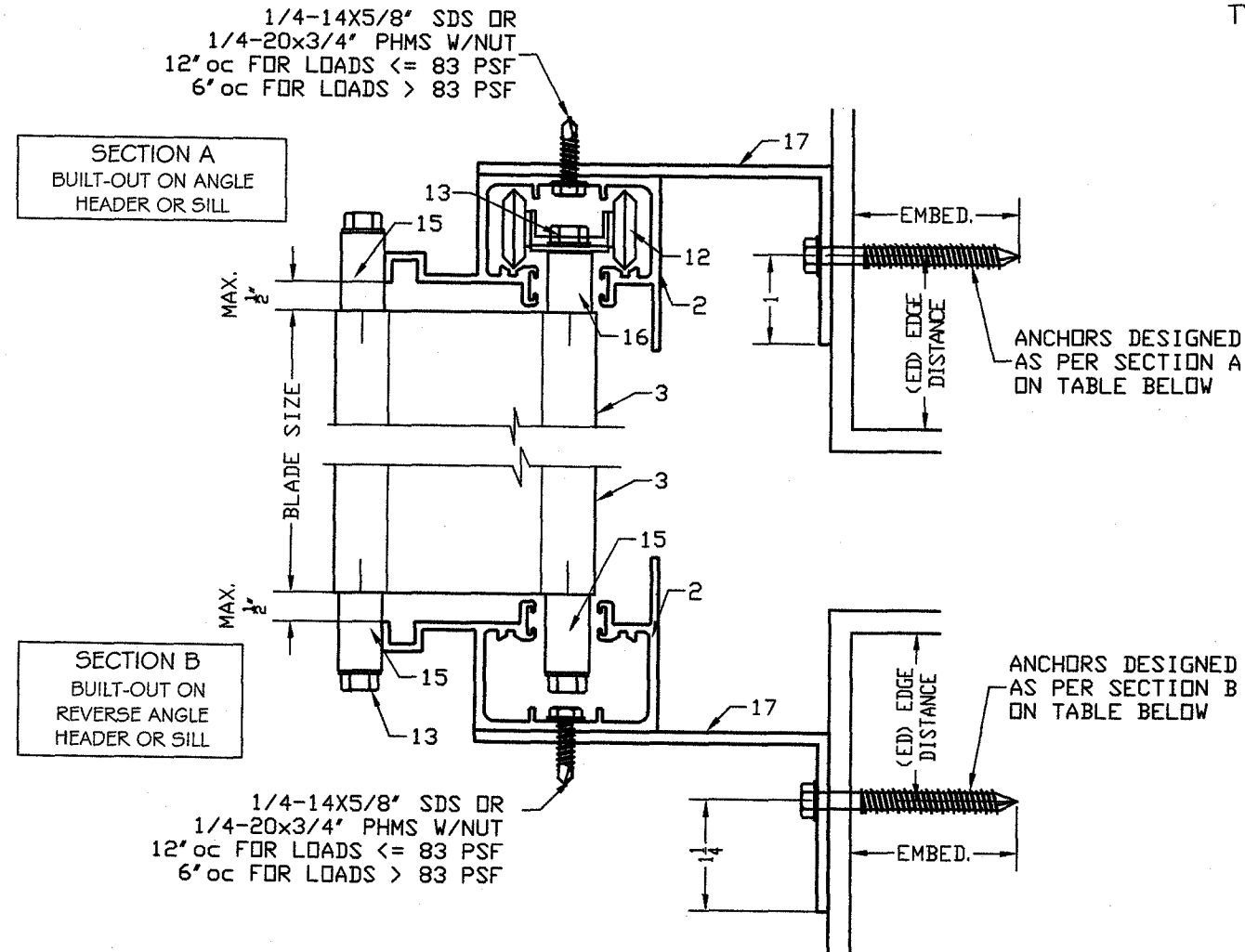


PRODUCT:  
**CROCI ACCORDION SHUTTER**  
EXTRUDED ALUMINUM

MANUFACTURER:  
**CROCI NORTH AMERICA**  
11600 ADELMO LANE FORT MYERS, FL 33966  
TEL.: (239) 278-3066 - FAX: (239) 278-5977  
EMAIL: INFO@CROCIUSA.COM

**PK**  
DRAFTING & MORE INC  
SCALE:  
NA  
DATE:  
12/16/17  
DRAWING #  
17-885  
SHEET  
1 of 9

TYPICAL VERTICAL SECTIONS AND ANCHOR SCHEDULE



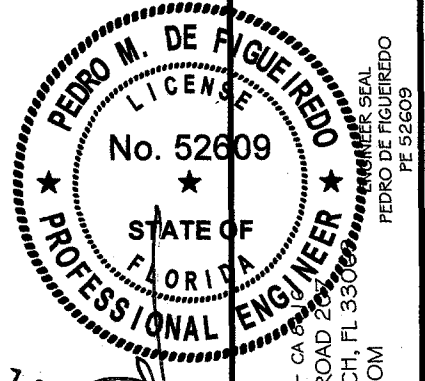
ALLOWABLE PRESSURE (PSF)

MAXIMUM ANCHORAGE SPACING IN INCHES ON CENTER

BS	Pd	SECTION A SILL / HEADER				SECTION B SILL / HEADER				SECTION C1 SILL / HEADER			
		A	B	C	E	A	B	C	E	A	B	C	E
60	188	9	--	12	7	5	--	7	4	7	--	8	5
	140	12	4	12	10	9	--	11	7	12	--	12	9
	100	12	5	12	12	12	5	12	12	12	5	12	12
	60	12	9	12	12	12	9	12	12	12	9	12	12
	40	12	12	12	12	12	12	12	12	12	12	12	12
90	188	6	--	7	4	--	--	4	--	--	--	4	--
	160	7	--	8	5	4	--	5	3	4	--	5	3
	125	9	--	12	7	5	--	7	4	7	--	8	5
	80	12	4	12	12	12	--	12	9	12	4	12	12
	35	12	10	12	12	12	10	12	12	12	10	12	12
108	125	7	--	9	6	4	--	5	3	5	--	6	4
	100	10	--	12	8	6	--	7	4	7	--	9	5
	80	12	--	12	10	8	--	10	6	11	--	12	8
	70	12	4	12	11	11	--	12	8	12	4	12	11
	35	12	8	12	12	12	8	12	12	12	8	12	12
120	105	8	--	10	6	4	--	6	3	5	--	7	4
	90	10	--	12	8	6	--	7	4	7	--	9	5
	85	11	--	12	8	6	--	8	5	8	--	10	6
	60	12	4	12	12	12	--	12	9	12	4	12	12
	35	12	8	12	12	12	8	12	12	12	8	12	12
150	85	8	--	10	6	4	--	5	3	5	--	7	4
	65	12	--	12	9	7	--	8	5	9	--	11	6
	55	12	4	12	10	9	--	11	7	12	--	12	9
	45	12	5	12	12	12	4	12	10	12	5	12	12
	35	12	6	12	12	12	6	12	12	12	6	12	12

REFER TO ANCHOR SCHEDULE ON SHEET 8 FOR ANCHOR TYPE

NOTES:  
 1- USE IN CONJUNCTION WITH TABLE 1, THE LOWER OF THE PRESSURE CONTROL DESIGN.  
 2- LINEAR INTERPOLATION IS ALLOWABLE BETWEEN BLADE SPAN SIZES



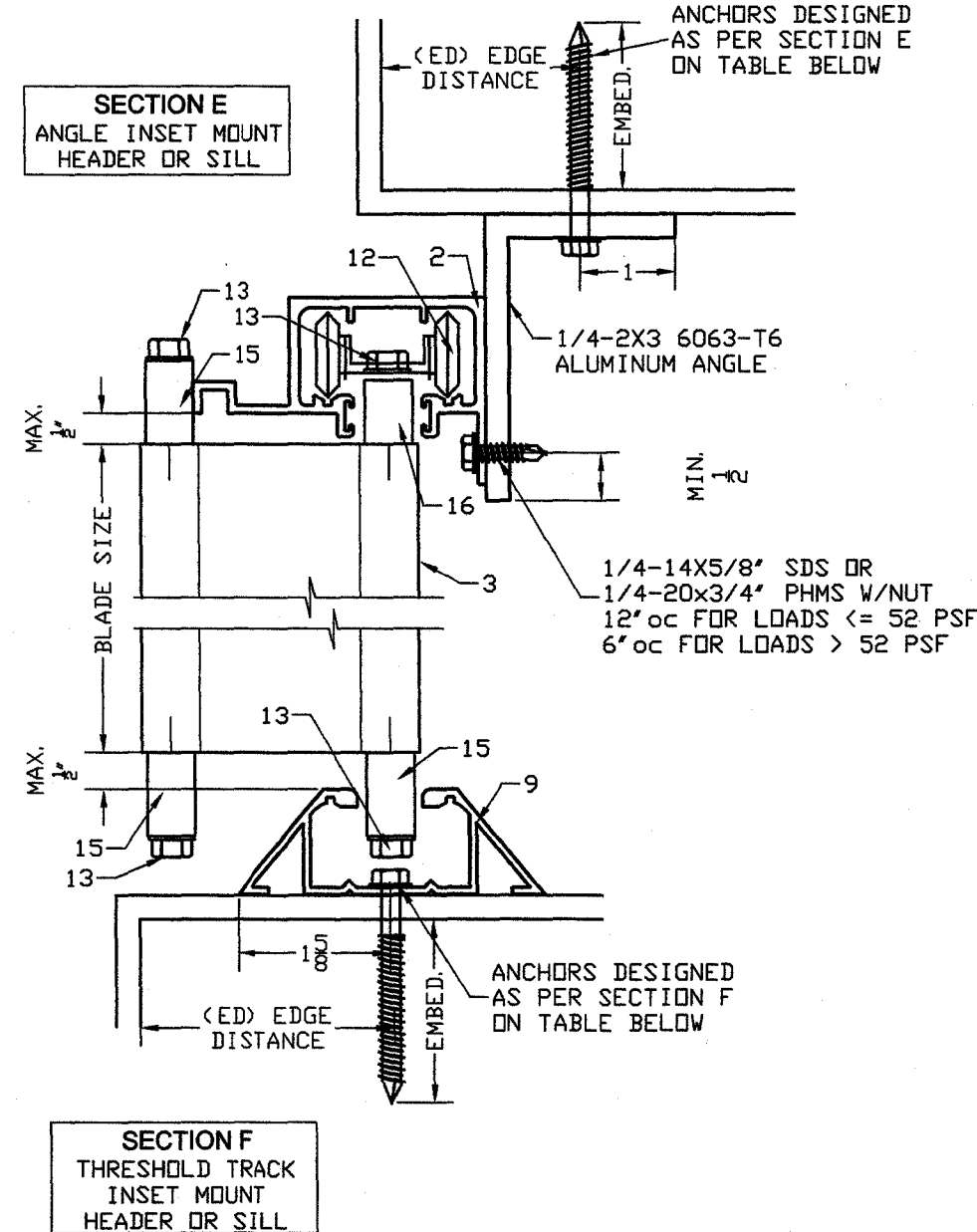
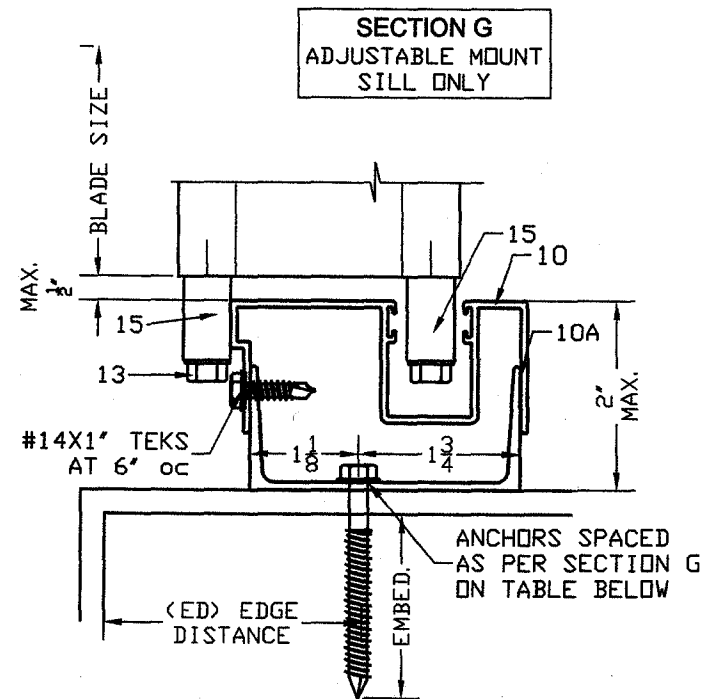
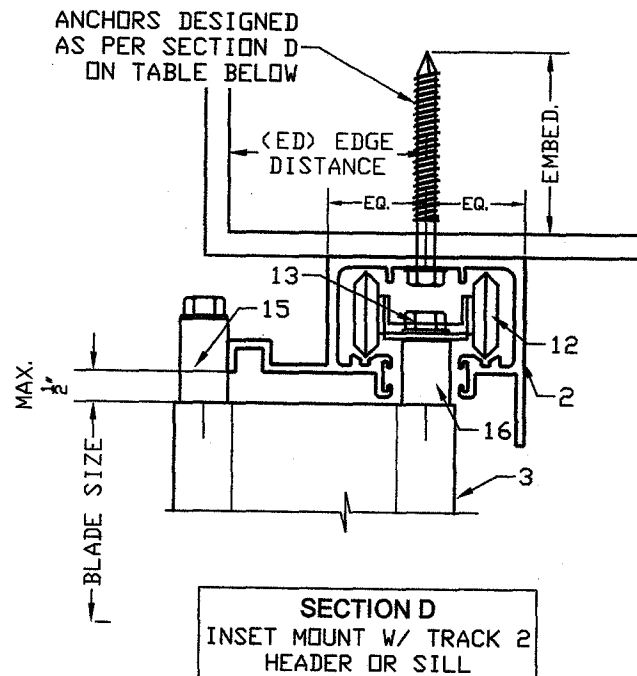
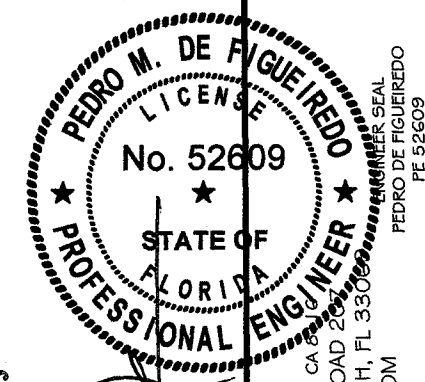
PRODUCT: CROCI ACCORDION SHUTTER  
 EXTRUDED ALUMINUM

MANUFACTURER: CROCI NORTH AMERICA  
 11600 ADELMO LANE FORT MYERS, FL 33966  
 TEL.: (239) 278-3066 - FAX: (239) 278-5977  
 EMAIL: INFO@CROCIUSA.COM

PK  
 DRAFTING# MORE INC  
 SCALE: NA  
 DATE: 12/16/17  
 DRAWING # 17-885  
 SHEET 2 of 9

ENGINEERING ENGCO INC. - CA 818  
 1791 BLOUNT ROAD 287  
 POMPANO BEACH, FL 33069  
 PEDRO DE FIGUEIREDO  
 PE 52609  
 ENGCO@AOL.COM

TYPICAL VERTICAL SECTIONS  
AND ANCHOR SCHEDULE



ALLOWABLE PRESSURE (PSF)  
MAXIMUM BLADE SPAN IN INCHES

		MAXIMUM ANCHORAGE SPACING IN INCHES ON CENTER																
		SECTION D SILL / HEADER				SECTION G SILL				SECTION E SILL / HEADER				SECTION F SILL / HEADER				
BS	Pd	A	B	C	E	A	B	C	E	A	B	C	D	E	A	B	C	E
60	188	5	--	4	10	6	4	4	11	5	--	4	11	12	6	--	4	8
	140	8	5	6	12	8	5	5	12	8	5	6	12	12	8	5	5	12
	100	12	8	8	12	12	8	8	12	12	8	9	12	12	12	8	8	16
	60	12	12	14	12	12	12	12	12	12	12	12	12	12	12	16	13	13
90	188	--	--	--	4	--	--	--	5	--	--	--	5	4	--	--	--	4
	160	4	--	--	6	4	--	3	8	--	--	3	6	6	4	--	3	5
	125	5	--	4	10	6	4	4	11	5	--	4	11	12	6	--	4	8
	80	10	6	7	12	10	6	6	12	10	6	7	12	12	10	6	6	14
108	35	12	12	12	12	12	12	12	12	12	12	12	12	12	16	15	15	16
	125	4	--	--	7	5	--	3	9	--	--	3	7	7	4	--	3	6
	100	6	--	4	12	6	4	4	12	5	--	4	12	12	6	4	4	8
	80	8	5	6	12	8	5	5	12	8	5	6	12	12	8	5	5	11
120	70	9	6	6	12	9	6	6	12	9	6	7	12	12	9	6	6	13
	35	12	12	12	12	12	12	12	12	12	12	12	12	12	16	13	13	16
	105	4	--	--	8	5	--	3	10	4	--	3	8	8	5	--	3	6
	90	6	--	4	12	6	4	4	12	5	--	4	12	12	6	4	4	8
150	85	6	4	4	12	7	4	4	12	6	4	5	12	12	6	4	4	9
	60	10	6	7	12	10	6	6	12	10	6	7	12	12	10	6	6	14
	35	17	11	12	12	12	11	11	12	12	11	12	12	12	16	11	11	16
	85	4	--	--	8	5	--	3	10	4	--	3	8	8	5	--	3	6
150	65	7	4	5	12	7	5	5	12	7	4	5	12	12	7	5	5	10
	55	8	5	6	12	8	5	6	12	8	5	6	12	12	8	5	6	12
	45	10	7	7	12	10	7	7	12	10	7	8	12	12	10	7	7	14
	35	12	9	9	12	12	9	9	12	12	9	10	12	12	13	9	9	16

REFER TO ANCHOR SCHEDULE ON SHEET 8 FOR ANCHOR TYPE

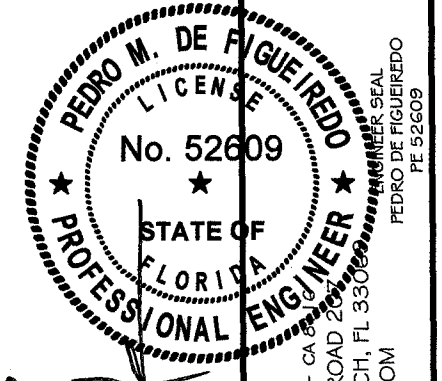
NOTES:  
1- USE IN CONJUNCTION WITH TABLE 1, THE LOWER OF THE PRESSURE CONTROL DESIGN.  
2- LINEAR INTERPOLATION IS ALLOWABLE BETWEEN BLADE SPAN SIZES

PRODUCT:  
CROCI ACCORDION SHUTTER  
EXTRUDED ALUMINUM

MANUFACTURER:  
CROCI NORTH AMERICA  
11600 ADELMO LANE FORT MYERS, FL 33966  
TEL.: (239) 278-3066 - FAX: (239) 278-5977  
EMAIL: INFO@CROCIUSA.COM

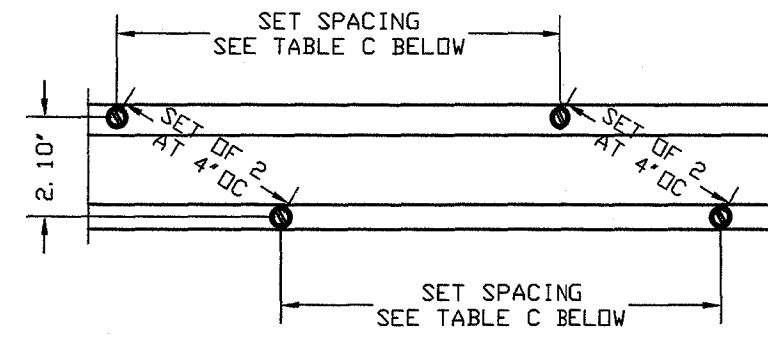
PK  
DRAFTING#MORE INC  
SCALE:  
NA  
DATE:  
12/16/17  
DRAWING #  
17-885  
SHEET  
3 of 9

TYPICAL VERTICAL SECTIONS  
AND ANCHOR SCHEDULE



DEC 16 2017

ENGINEERING  
ENGCO INC. - CA & FL  
1791 BLOUNT ROAD 207  
POMPANO BEACH, FL 33069  
ENGCO@AOL.COM

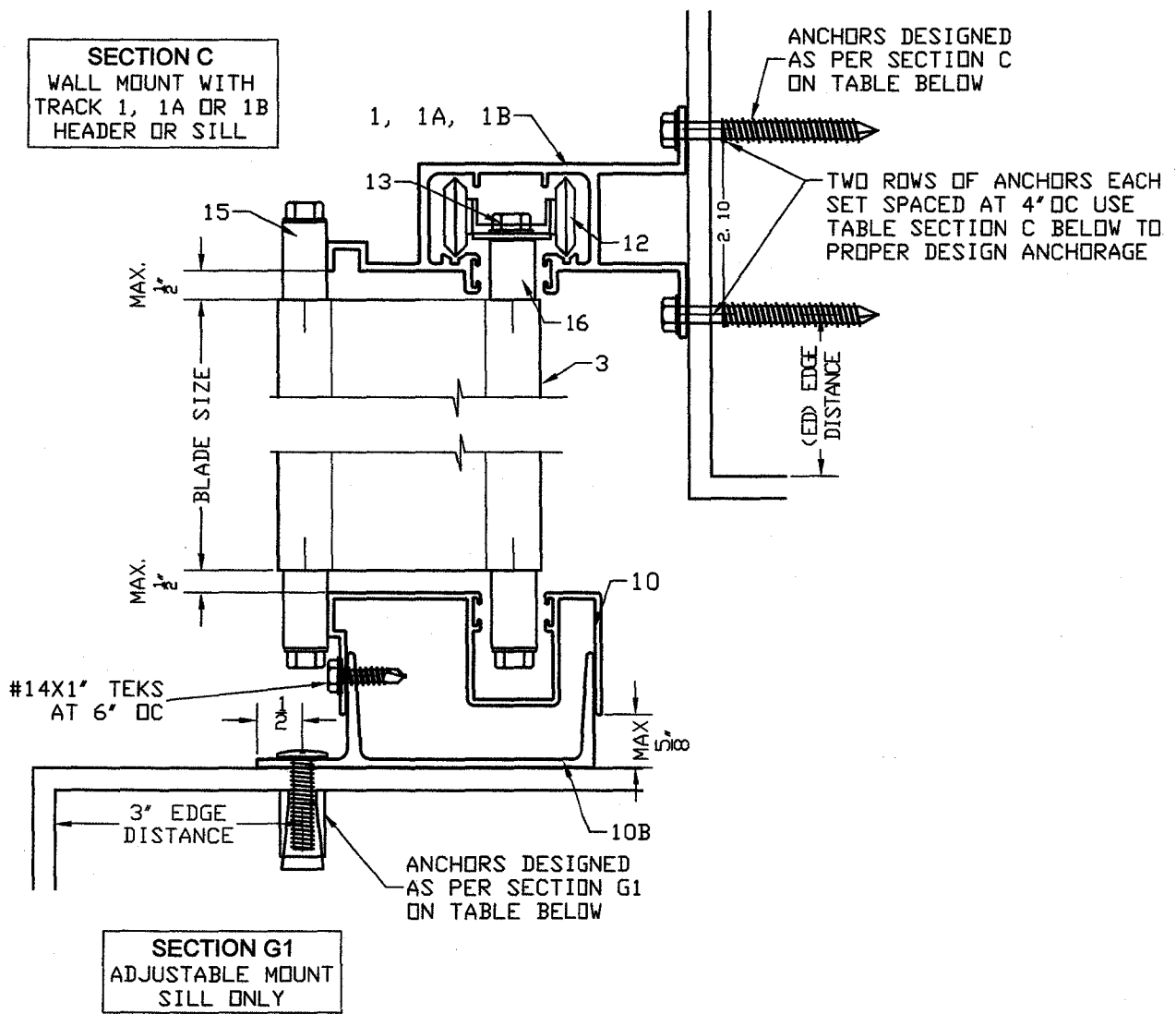


ALLOWABLE  
PRESSURE  
(PSF)  
MAXIMUM  
BLADE SPAN  
IN INCHES

BS	Pd	SECTION C SILL / HEADER					SECTION G1 SILL / HEADER				
		A	B	C	E	A	B	C	D	E	
60	188	22	6	24	17	6	4	4	12	11	
	140	24	8	24	21	8	5	5	12	12	
	100	24	11	24	24	12	8	8	12	12	
	60	24	18	24	24	12	12	12	12	12	
90	40	24	24	24	24	12	12	12	12	12	
	188	17	4	21	13	--	--	--	7	5	
	160	19	5	23	14	4	--	3	10	8	
	125	22	6	24	17	6	4	4	12	11	
108	80	24	9	24	24	10	6	6	12	12	
	35	24	21	24	24	12	12	12	12	12	
	125	20	5	24	15	5	--	3	12	9	
	100	22	6	24	17	6	4	4	12	12	
120	80	24	7	24	20	8	5	5	12	12	
	70	24	8	24	23	9	6	6	12	12	
	35	24	17	24	24	12	12	12	12	12	
	105	20	6	24	15	5	--	3	12	10	
150	90	22	6	24	17	6	4	4	12	12	
	85	23	6	24	18	7	4	4	12	12	
	60	24	9	24	24	10	6	6	12	12	
	35	24	16	24	24	12	11	11	12	12	
150	85	20	5	24	15	5	--	3	12	10	
	65	24	6	24	18	7	5	5	12	12	
	55	24	8	24	21	8	5	6	12	12	
	45	24	10	24	24	10	7	7	12	12	
35	24	12	24	24	12	9	9	12	12		

REFER TO ANCHOR SCHEDULE  
ON SHEET 8 FOR ANCHOR TYPE

NOTES:  
1- USE IN CONJUNCTION WITH TABLE 1, THE LOWER OF THE PRESSURE CONTROL DESIGN.  
2- LINEAR INTERPOLATION IS ALLOWABLE BETWEEN BLADE SPAN SIZES

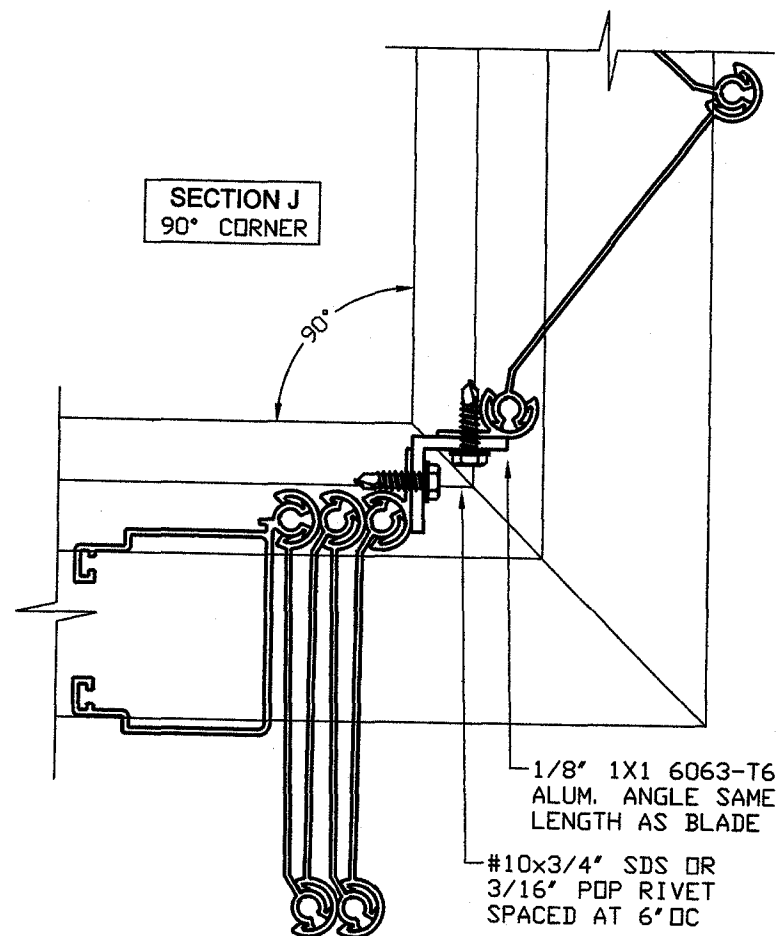


PRODUCT:  
CROCI ACCORDION SHUTTER  
EXTRUDED ALUMINUM

MANUFACTURER:  
CROCI  
NORTH AMERICA  
11600 ADELMO LANE FORT MYERS, FL 33966  
TEL.: (239) 278-3066 - FAX: (239) 278-5977  
EMAIL: INFO@CROCIUSA.COM

PK  
DRAFTING@MORE INC  
SCALE:  
NA  
DATE:  
12/16/17  
DRAWING #  
17-885  
SHEET  
4 of 9

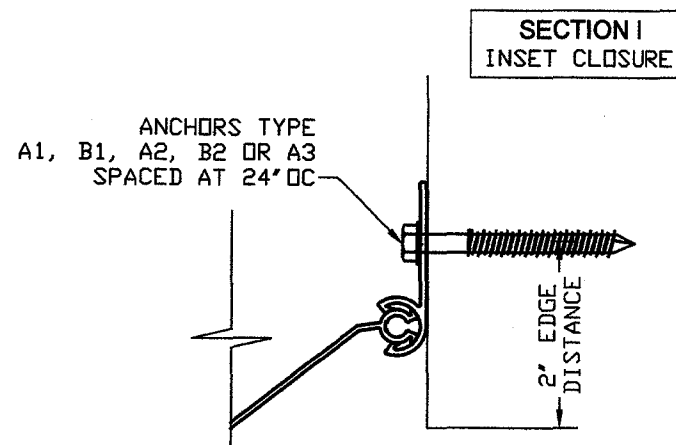
TYPICAL HORIZONTAL SECTIONS  
JAMB & CORNER SECTIONS



SECTION J  
90° CORNER

1/8" 1X1 6063-T6  
ALUM. ANGLE SAME  
LENGTH AS BLADE

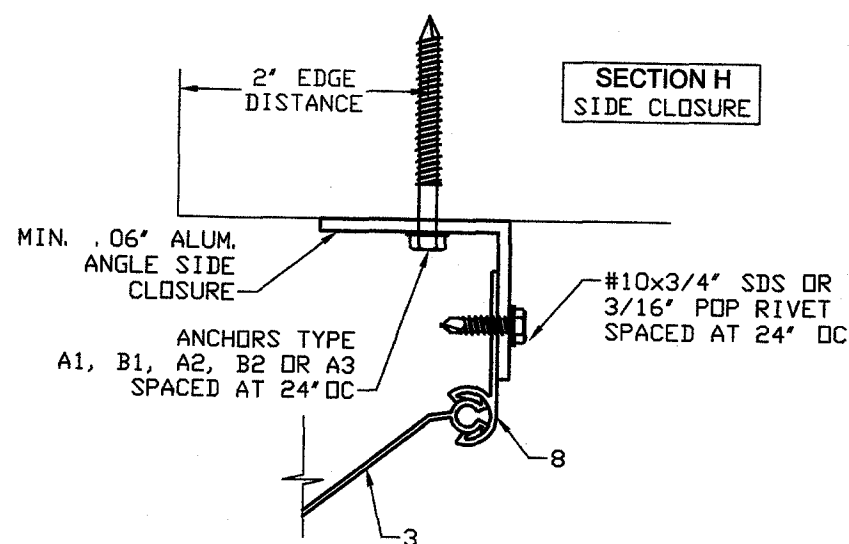
#10x3/4" SDS OR  
3/16" POP RIVET  
SPACED AT 6" OC



SECTION I  
INSET CLOSURE

ANCHORS TYPE  
A1, B1, A2, B2 OR A3  
SPACED AT 24" OC

2" EDGE  
DISTANCE



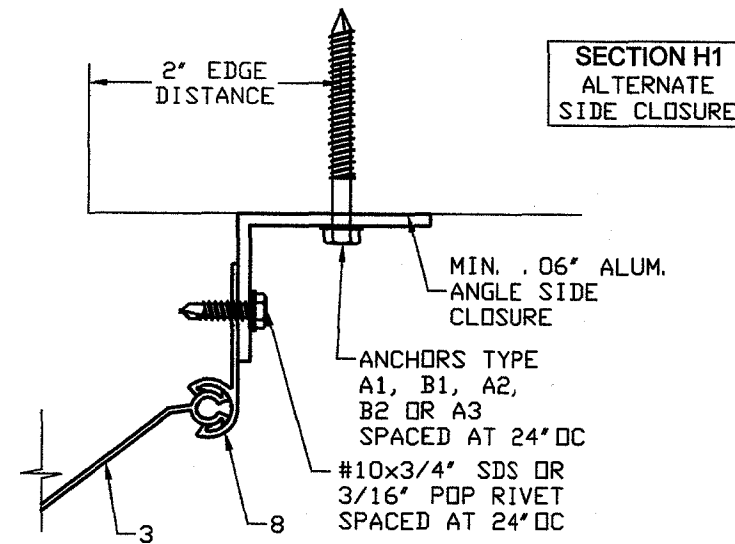
SECTION H  
SIDE CLOSURE

MIN. .06" ALUM.  
ANGLE SIDE  
CLOSURE

#10x3/4" SDS OR  
3/16" POP RIVET  
SPACED AT 24" OC

ANCHORS TYPE  
A1, B1, A2, B2 OR A3  
SPACED AT 24" OC

2" EDGE  
DISTANCE



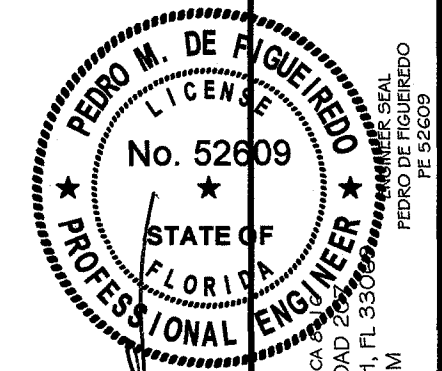
SECTION H1  
ALTERNATE  
SIDE CLOSURE

MIN. .06" ALUM.  
ANGLE SIDE  
CLOSURE

ANCHORS TYPE  
A1, B1, A2,  
B2 OR A3  
SPACED AT 24" OC

#10x3/4" SDS OR  
3/16" POP RIVET  
SPACED AT 24" OC

2" EDGE  
DISTANCE



DEC 16 2017

PRODUCT:  
CROCI ACCORDION SHUTTER  
EXTRUDED ALUMINUM

MANUFACTURER:  
CROCI NORTH AMERICA  
11600 ADELMO LANE FORT MYERS, FL 33966  
TEL.: (239) 278-3066 - FAX: (239) 278-5977  
EMAIL: INFO@CROCIUSA.COM

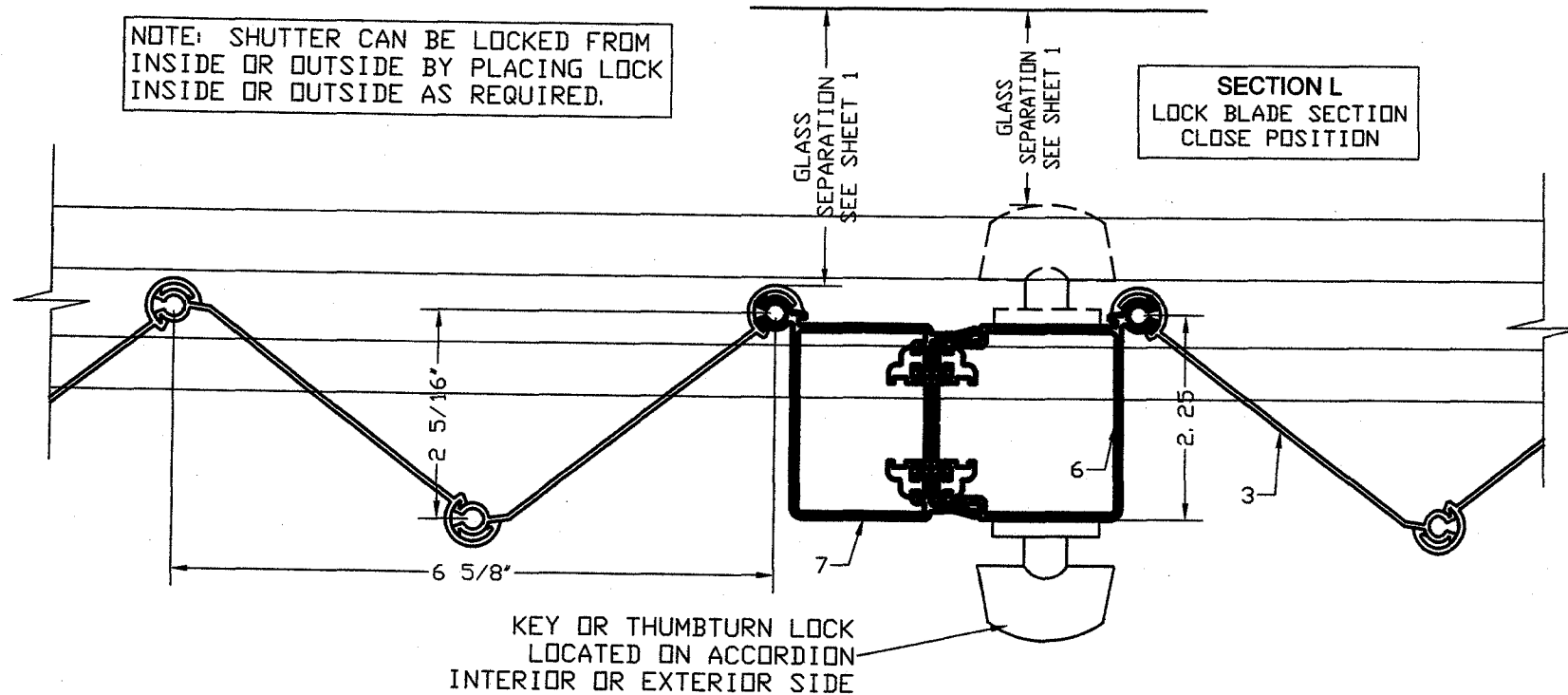
PK  
DRAFTING#MORE INC

SCALE:  
NA  
DATE:  
12/16/17  
DRAWING #  
17-885  
SHEET  
5 of 9

ENGINEERING  
ENGCO INC. - CA  
1791 BLOUNT ROAD 26  
POMPANO BEACH, FL 33069  
ENGCO@AOL.COM  
PEDRO DE FIGUEIREDO  
PE 52609

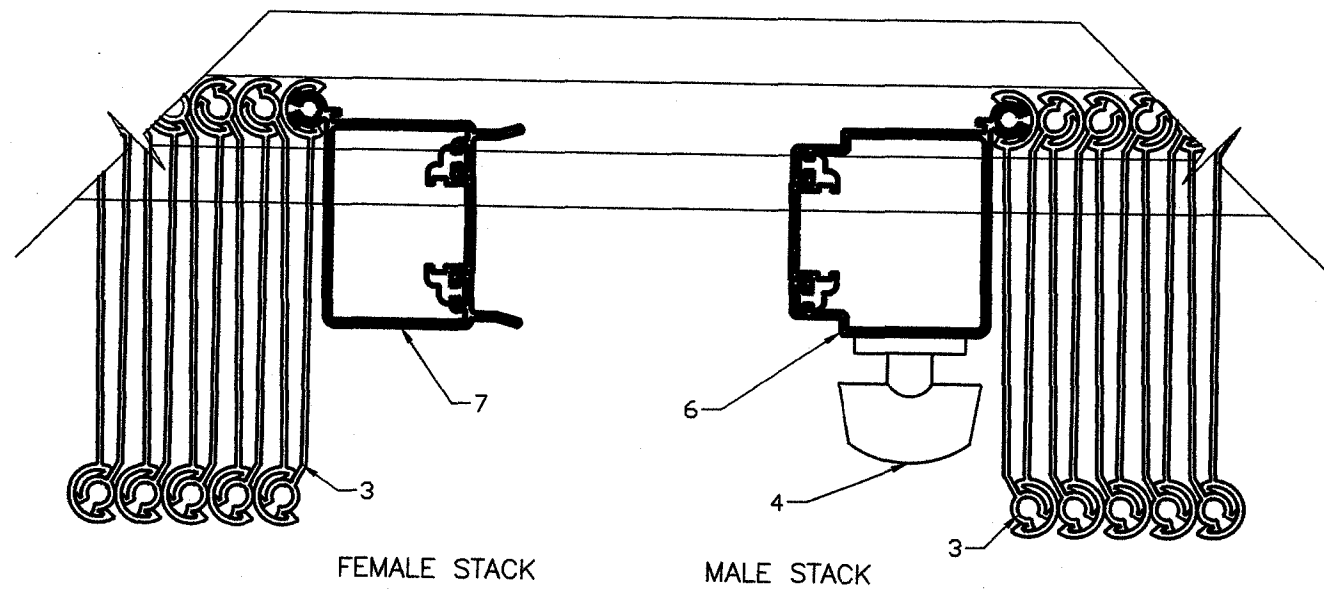
TYPICAL HORIZONTAL SECTIONS  
LOCK SECTIONS

NOTE: SHUTTER CAN BE LOCKED FROM  
INSIDE OR OUTSIDE BY PLACING LOCK  
INSIDE OR OUTSIDE AS REQUIRED.



KEY OR THUMBTURN LOCK  
LOCATED ON ACCORDION  
INTERIOR OR EXTERIOR SIDE

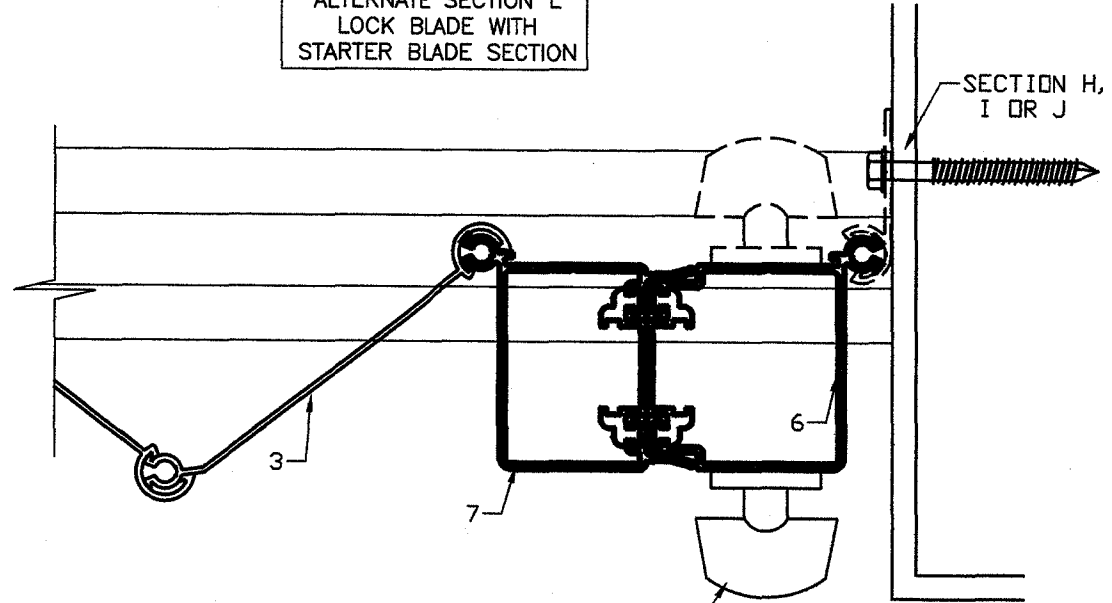
SECTION L  
LOCK BLADE SECTION  
OPEN POSITION



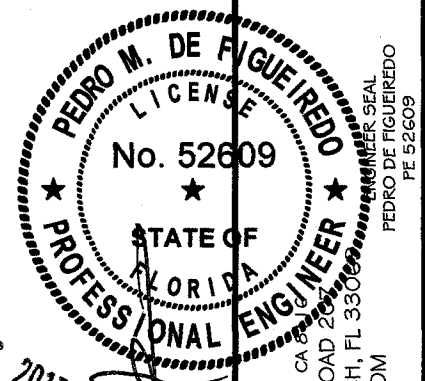
FEMALE STACK

MALE STACK

ALTERNATE SECTION L  
ALTERNATE SECTION L  
LOCK BLADE WITH  
STARTER BLADE SECTION



KEY OR THUMBTURN LOCK  
LOCATED ON ACCORDION  
INTERIOR OR EXTERIOR SIDE



PRODUCT:  
CROCI ACCORDION SHUTTER  
EXTRUDED ALUMINUM

MANUFACTURER:  
CROCI  
NORTH AMERICA  
11600 ADELMO LANE FORT MYERS, FL 33966  
TEL.: (239) 278-3066 - FAX: (239) 278-5977  
EMAIL: INFO@CROCIUSA.COM

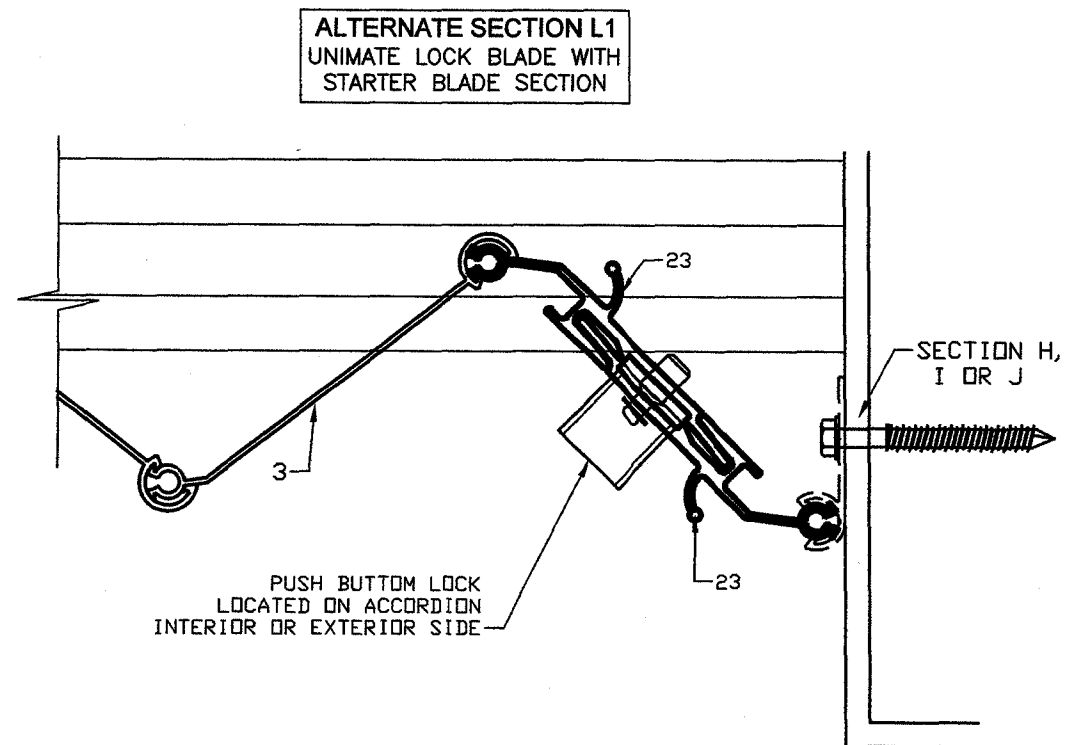
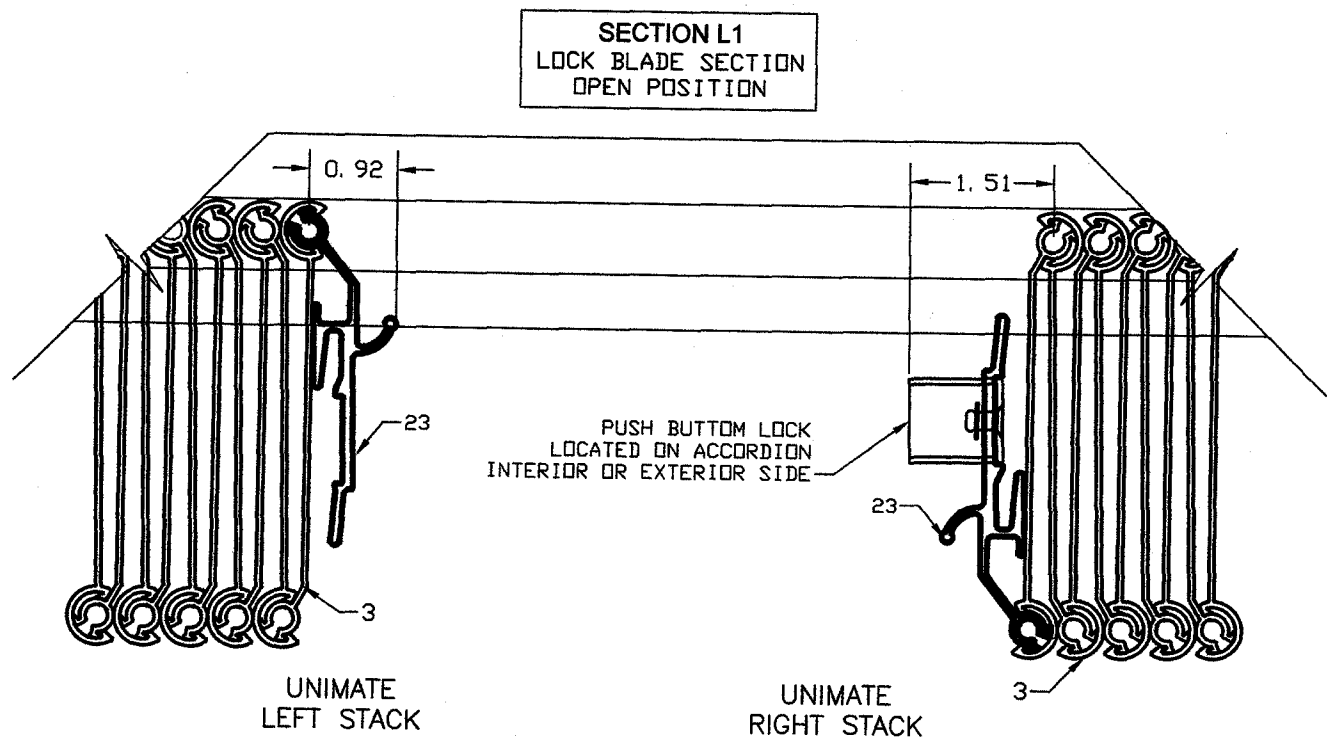
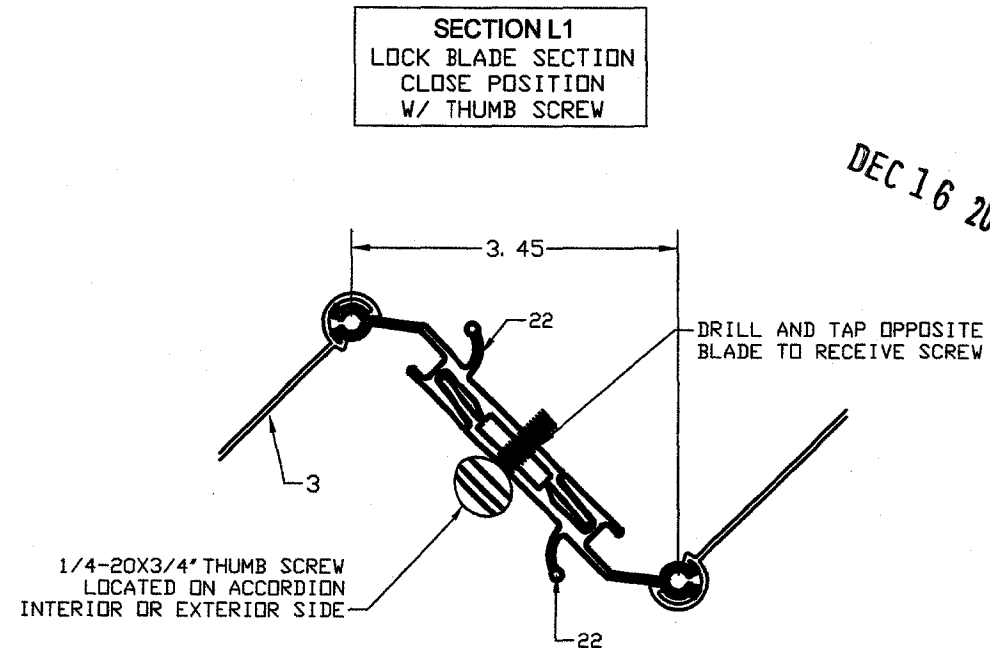
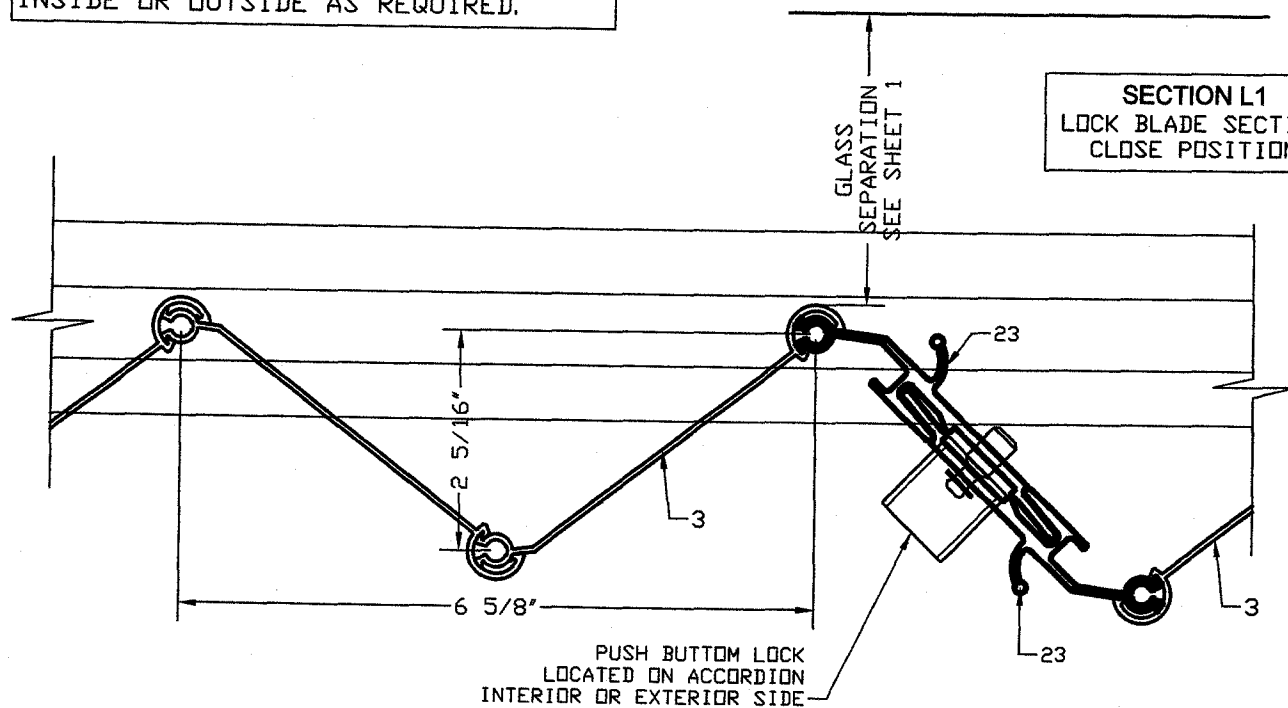
PK  
DRAFTING#MORE INC

SCALE:  
NA  
DATE:  
12/16/17  
DRAWING #  
17-885  
SHEET  
6 of 9

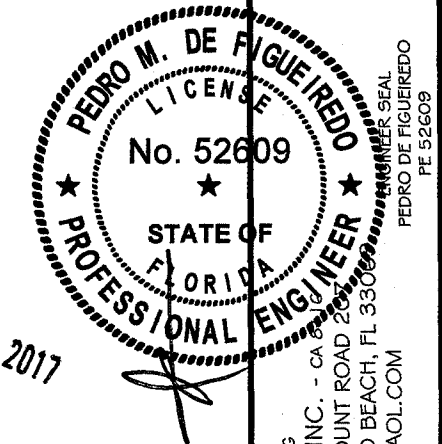
ENGINEERING  
ENGCO INC. - CA 800  
1791 BLOUNT ROAD 2ND FLOOR  
POMPANO BEACH, FL 33069  
ENGCO@AOL.COM  
PE 52609

TYPICAL HORIZONTAL UNIMATE LOCK SECTIONS

NOTE: SHUTTER CAN BE LOCKED FROM INSIDE OR OUTSIDE BY PLACING THE PUSH BUTTON LOCK OR THUMB SCREW INSIDE OR OUTSIDE AS REQUIRED.



DEC 16 2017



PRODUCT: CROCI ACCORDION SHUTTER  
EXTRUDED ALUMINIUM

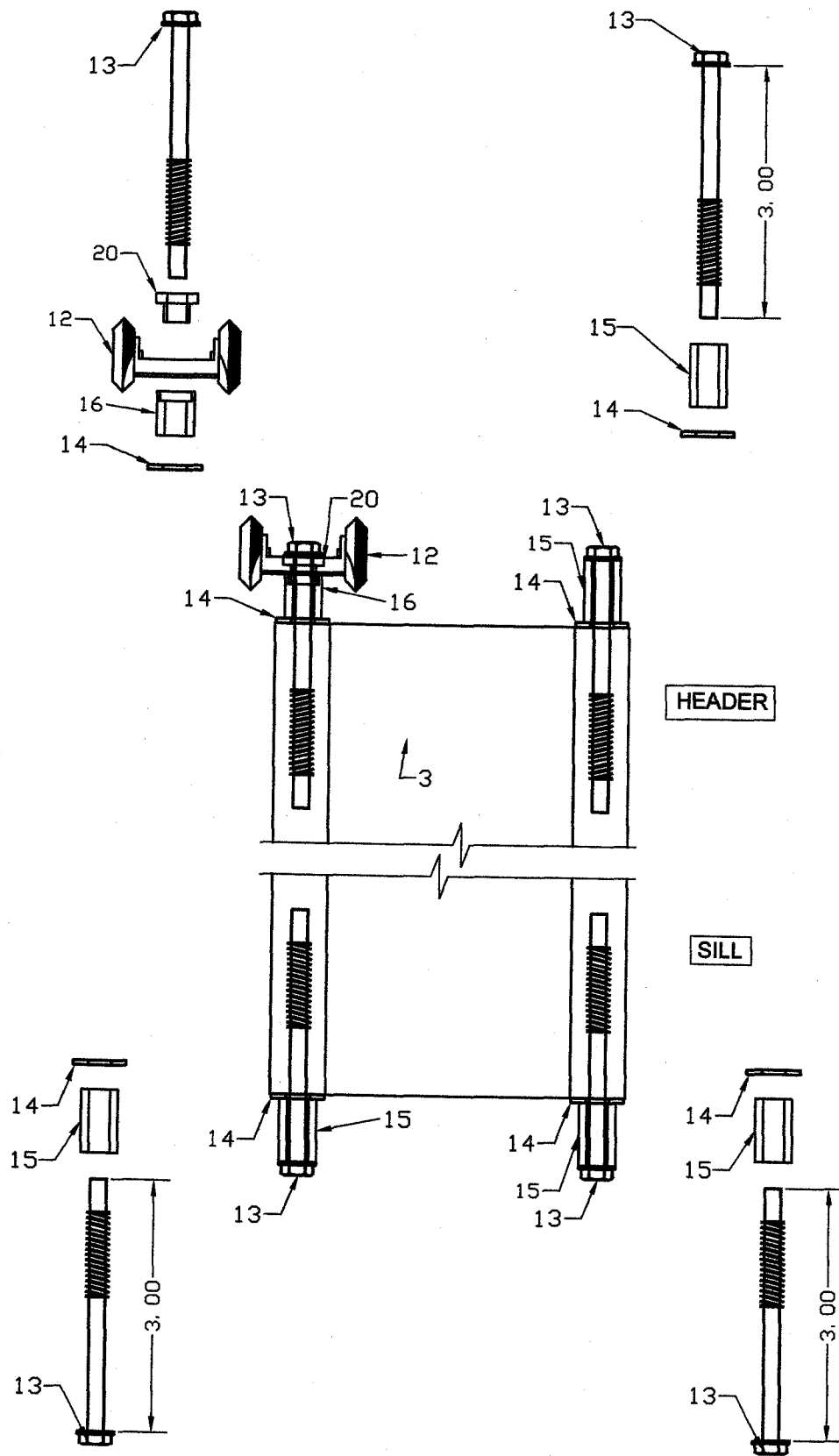
MANUFACTURER: CROCI NORTH AMERICA  
11600 ADELMO LANE FORT MYERS, FL 33966  
TEL: (239) 278-3066 - FAX: (239) 278-5977  
EMAIL: INFO@CROCIUSA.COM

PK  
DRAFTING#MORE INC  
SCALE: NA  
DATE: 12/16/17  
DRAWING # 17-885  
SHEET 7 of 9

ENGINEERING ENGCO INC. - CA 8  
1791 BLOUNT ROAD 200  
POMPANO BEACH, FL 33069  
PEDRO DE FIGUEIREDO  
ENGCO@AOL.COM  
PE 52609



TYPICAL BLADE ASSEMBLY



BILL OF MATERIALS

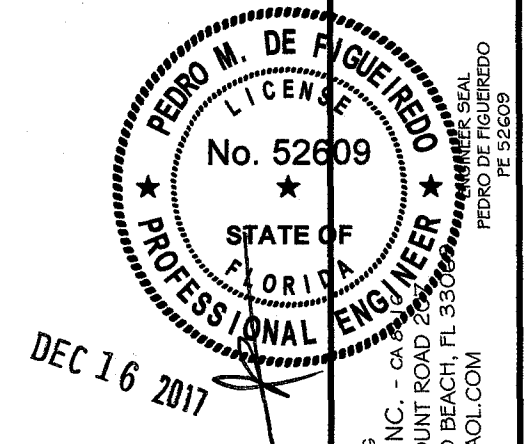
ITEM	DESCRIPTION	MATERIAL	MANUFACTURER
1	1' WALL MOUNT TRACK	6063-T6 ALUMINUM	CROCI
1A	2' WALL MOUNT TRACK	6063-T6 ALUMINUM	CROCI
1B	3' WALL MOUNT TRACK	6063-T6 ALUMINUM	CROCI
2	CEILING TRACK	6063-T6 ALUMINUM	CROCI
3	ACCORDION BLADE	6063-T6 ALUMINUM	CROCI
4	LOCK		
5	LOCK BLADE INSERT	6063-T6 ALUMINUM	CROCI
6	MALE LOCK BLADE	6063-T6 ALUMINUM	CROCI
7	FEMALE LOCK BLADE	6063-T6 ALUMINUM	CROCI
8	STARTER BLADE	6063-T6 ALUMINUM	CROCI
9	"A" TRACK	6063-T6 ALUMINUM	CROCI
10	ADJUSTABLE TRACK	6063-T6 ALUMINUM	CROCI
10A	ADJUST. CHANNEL	6063-T6 ALUMINUM	CROCI
10B	ADJUST. CHANNEL W/ FLANGE	6063-T6 ALUMINUM	CROCI
11			
12	WHEEL CARRIER	PLATED STEEL/ NYLON	CROCI
13	1/4" X 3" SCREW BLADE	410 STAINLESS STEEL	CROCI
14	1/2" SS FLAT WASHER	STAINLESS STEEL	CROCI
15	1" X 7/16" BUSHING	NYLON	CROCI
16	1/2" X 7/8" WHEEL BUSHING	NYLON	CROCI
17	1/8" BUILT-OUT ANGLES	6063-T6 ALUMINUM	CROCI
18	1/4" - 2X3 ANGLE	6063-T6 ALUMINUM	CROCI
19	PUSH-BOTTOM LOCK		
20	1/2" X 1/4" WHEEL SPACER	NYLON	CROCI
21	1' WALL MOUNT TRACK	6063-T6 ALUMINUM	CROCI
21A	2' WALL MOUNT TRACK	6063-T6 ALUMINUM	CROCI
21B	3' WALL MOUNT TRACK	6063-T6 ALUMINUM	CROCI
22	0.04" OPTIONAL COVER	ALUMINUM BREAK METAL	CROCI
23	UNIMATE LOCK BLADE	6063-T6 ALUMINUM	CROCI

ANCHOR SCHEDULE

ANCHOR	SUBSTRATE	DESCRIPTION	EMBED.	ED	MANUFACTURER
A	3000 PSI CONCRETE	1/4" TAPCON	1-3/4"	2-1/2"	ITW
		1/4" ULTRACON	1-3/4"	2-1/2"	ELCO
B	GF C90 CMU BLOCK	1/4" ULTRACON	2-1/4"	2-1/2"	ELCO
		1/4" TAPCON	1-1/4"	2-1/2"	ITW
C	WOOD (SG) = .55	1/4" ULTRACON	1-1/4"	2-1/2"	ELCO
		1/4" TAPCONS/ ULTRACON	1-1/2"	1.0	ITW / ELCO
D	3000 PSI CONCRETE	#14 WOOD SCREWS	1-1/2"	1.0	GENERIC
		1/4-20 SOLID-SET	7/8"	3.0	ALL POINTS
E	.125" ALUMINUM	1/4-14 TAPPING SCREWS	1/8"	3/8"	GR5 GENERIC
	.11" 12GA STEEL				

ANCHOR NOTES:

- 1- ANCHOR TYPE E TO BE INSTALLED IN 6063-T6 ALUMINUM OR ASTM A36 STEEL
- 2- WOOD MINIMUM SPECIFIC GRAVITY SG=0.55 SOUTHERN PINE OR MIXED MAPLE
- 3- ANCHORS HAVE BEEN EVALUATED UNDER ALUMINUM DESIGN MANUAL 2010 AND AMERICAN WOOD COUNCIL DESIGN MANUAL NDS 2012
- 4- ANCHORS ARE TO BE 300 SERIES STAINLESS STEEL OR PROTECTED WITH COATING SUFFICIENT TO PROVIDE CORROSION PROTECTION FOR THE INTENDED SERVICE.



ENGINEERING  
 ENGCO INC. - CA 8  
 1791 BLOUNT ROAD 207  
 POMPANO BEACH, FL 33069  
 ENGCO@AOL.COM  
 PE 52609

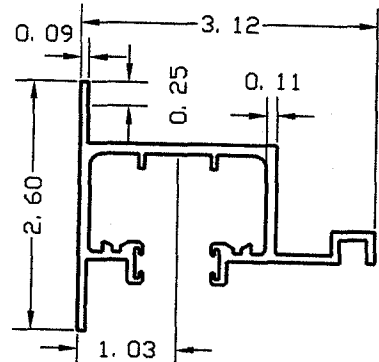
PRODUCT:  
 CROCI ACCORDION SHUTTER  
 EXTRUDED ALUMINUM

MANUFACTURER:  
 CROCI  
 NORTH AMERICA  
 11600 ADELMO LANE FORT MYERS, FL 33966  
 TEL: (239) 278-3066 - FAX: (239) 278-5977  
 EMAIL: INFO@CROCIUSA.COM

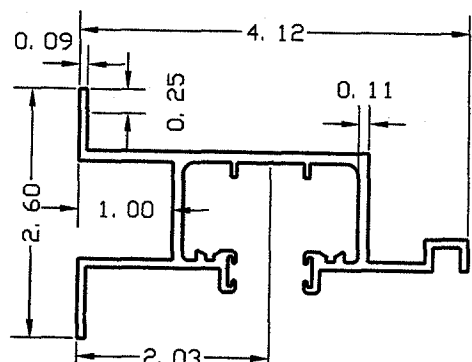
PK  
 DRAFTING#MORE INC  
 SCALE:  
 NA  
 DATE:  
 12/16/17  
 DRAWING #  
 17-885  
 SHEET  
 8 of 9



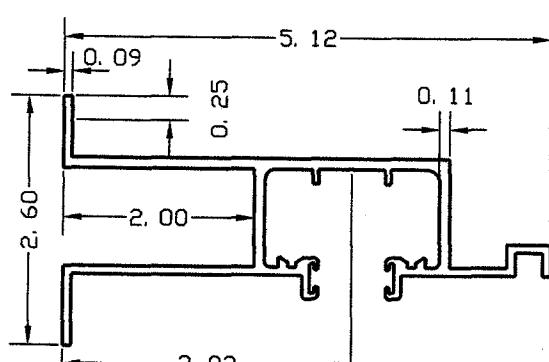
COMPONENTS



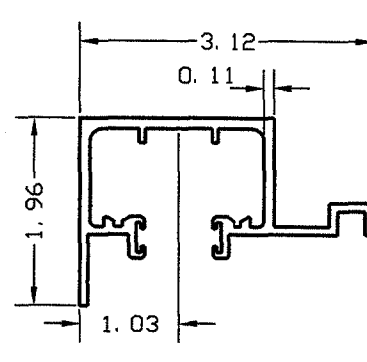
1- 1" WALL MOUNT TRACK



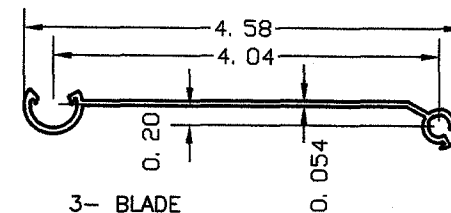
1A- 2" WALL MOUNT TRACK



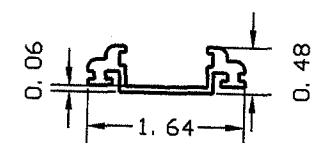
1B- 3" WALL MOUNT TRACK



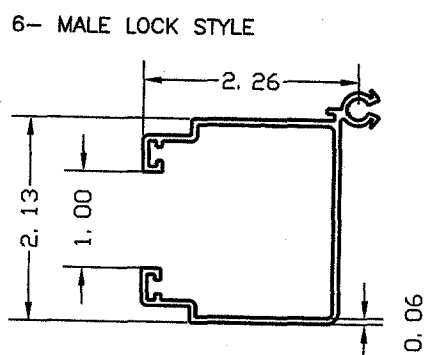
2- CEILING TRACK



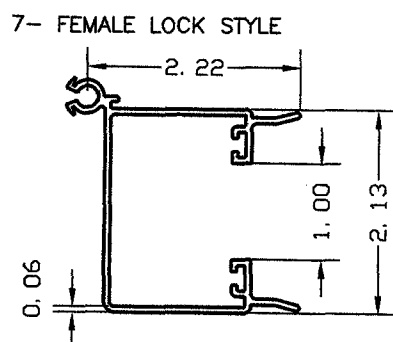
3- BLADE



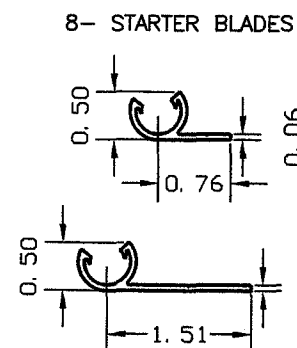
5- LOCK BLADE INSERT



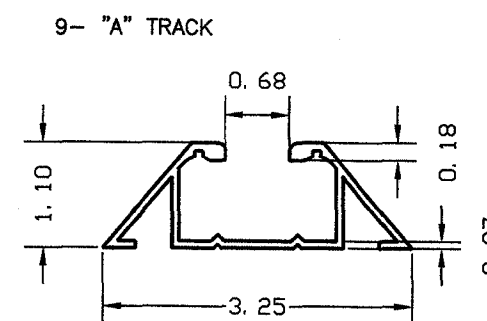
6- MALE LOCK STYLE



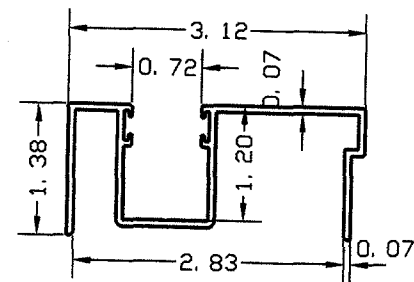
7- FEMALE LOCK STYLE



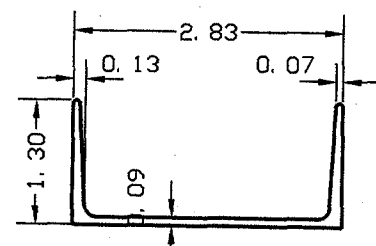
8- STARTER BLADES



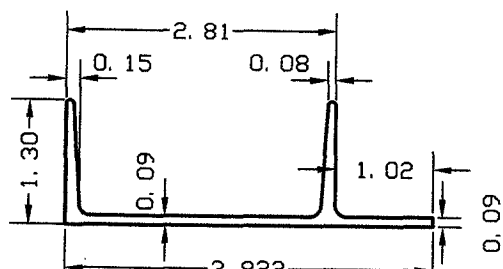
9- "A" TRACK



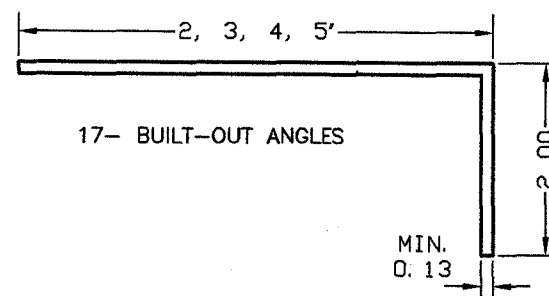
10- ADJUSTABLE SILL TRACK



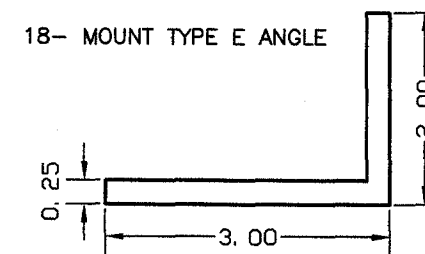
10A- ADJUSTABLE SILL CHANNEL



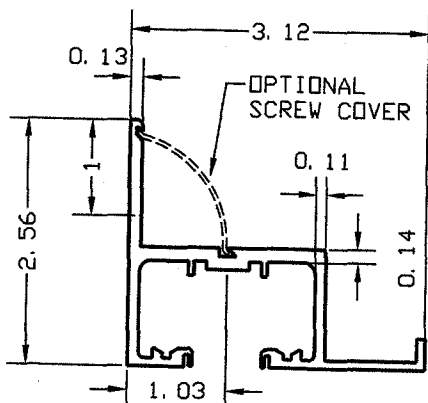
10B- ADJUSTABLE SILL CHANNEL W/ FLANGE



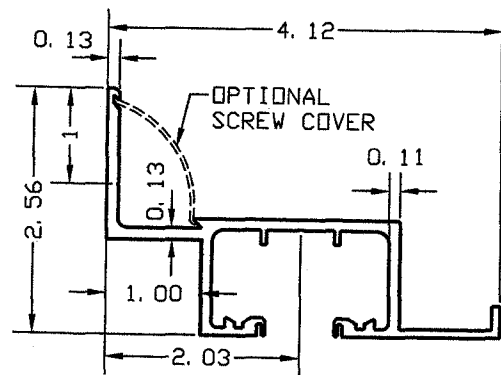
17- BUILT-OUT ANGLES



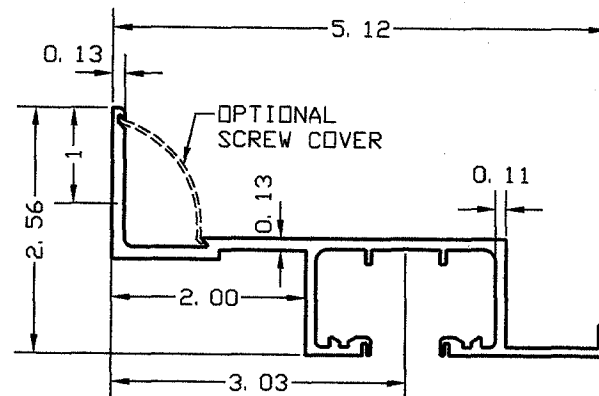
18- MOUNT TYPE E ANGLE



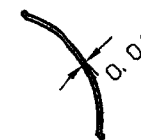
21- 1" WALL MOUNT TRACK



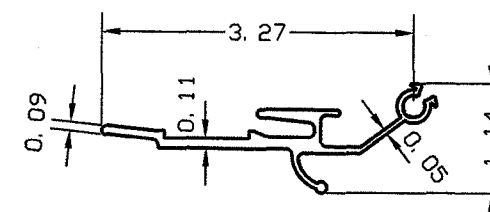
21A- 2" WALL MOUNT TRACK



21B- 3" WALL MOUNT TRACK



22- 0.04" BREAK METAL  
OPTIONAL SCREW COVER



23- UNIMATE LOCK STYLE

PEDRO M. DE FIGUEIREDO  
 LICENSE  
 No. 52609  
 STATE OF  
 FLORIDA  
 PROFESSIONAL ENGINEER  
 DEC 16 2017

PRODUCT:  
 CROCI ACCORDION SHUTTER  
 EXTRUDED ALUMINIUM

MANUFACTURER:  
 CROCI NORTH AMERICA  
 11600 ADELMO LANE FORT MYERS, FL 33966  
 TEL.: (239) 278-3066 - FAX: (239) 278-5977  
 EMAIL: INFO@CROCIUSA.COM

PK  
 DRAFTING#MORE INC  
 SCALE:  
 NA  
 DATE:  
 12/16/17  
 DRAWING #  
 17-885  
 SHEET  
 9 of 9

ENGINEERING  
 ENGCO INC. - CA 8  
 1791 BLOUNT ROAD 200  
 POMPANO BEACH, FL 33069  
 ENGCO@AOL.COM  
 PEDRO DE FIGUEIREDO  
 PE 52609