

**TABLE OF CONTENTS:**

- SHEET 1- TABLE OF CONTENTS, GENERAL NOTES, ALLOWABLE PRESSURE TABLE 1, DESIGN SCHEDULE
- SHEET 2- TYPICAL ELEVATIONS AND MOUNT OPTIONS
- SHEET 3- PRODUCT COMPONENTS AND SLAT END RETENTION LAY-OUT
- SHEET 4- TYPICAL VERTICAL SECTIONS EE & DD, TABLE A1 WALL MOUNT TRACK ANCHORAGE
- SHEET 5- TABLE A2 AND A2.1 INSET MOUNT TRACK ANCHORAGE WITH ONE OR TWO TUBES
- SHEET 6- TABLE A3 AND A3.1 BUILT-OUT MOUNT TRACK ANCHORAGE WITH 2X3 AND 3X3 TUBES
- SHEET 7- EQUAL SPACED MULLION SELECTION TABLE
- SHEET 8- EQUALLY SPACED MULLIONS WALL AND INSET CONNECTIONS
- SHEET 9- HOOD ASSEMBLY

**GENERAL NOTES: (FLORIDA BUILDING CODE 2017 6TH EDITION - HVHZ)**

- 1- DEFINITION: THIS PRODUCT IS A ROLLING TYPE DOOR; DESIGNED, CONSTRUCTED AND ERECTED TO EASILY ENCLOSE AN AREA, PROVIDING PROTECTION FROM HURRICANE FORCE WINDS WITHIN THE ALLOWABLE DESIGNED PRESSURES AND LIMITATIONS STATED IN THIS APPROVAL.
- 2- CODE: THIS PRODUCT HAS BEEN TESTED AND DESIGNED IN ACCORDANCE WITH THE FLORIDA BUILDING CODE 2017- 6TH EDITION UNDER THE TAS 201, TAS 202, TAS 203.
- 3- POSTING: A PERMANENT LABEL SHALL BE PROVIDED AS PER FBC AND IT SHALL BE LOCATED ON THE BOTTOM OF THE HOOD FACING THE EXTERIOR OR OUTSIDE AND A MINIMUM OF ONE LABEL PER OPENING.
- 4- LOADS: DESIGNED LOAD CALCULATED BASED ON THE ASCE 7-10 AND PROVIDED BY A PROFESSIONAL ARCHITECT OR ENGINEER FOR EACH SPECIFIC PROJECT. THE CALCULATED DESIGNED PRESSURE MUST NOT EXCEED THE ALLOWABLE PRESSURES FOR EACH DOOR COMPONENT TO BE USED. THE DESIGN PRESSURES ARE PERMITTED TO BE MULTIPLIED BY 0.6
- 5- MATERIAL: ALL EXTRUDED ALUMINUM SHAPES SHALL BE MADE OF 6063-T6 OR AS NOTED.
- 6- FASTENERS: ASSEMBLY SCREWS AND ANCHORS SHALL BE AS SPECIFIED IN THE CURRENT SET OF DRAWINGS. INSTALLATION AND LOADS AS PER THIS APPROVAL.
- 7- USE: IT SHALL BE THE RESPONSIBILITY OF THE CONTRACTOR, ARCHITECT OR ENGINEER OF RECORD TO VERIFY THE FOLLOWING:
  - 7.1- THE STABILITY OF THE STRUCTURE WHERE THE DOOR IS TO BE ATTACHED INSURING PROPER ANCHORAGE.
  - 7.2- THE SITE SPECIFIC PROJECT CRITERIA, SUCH AS BUT NOT LIMITED TO, WIND LOADS, LOCAL CODE REQUIREMENTS, DESIGNED PRESSURES ETC.
  - 7.3- THAT THIS APPROVAL IS ADEQUATE TO THE SPECIFIC PROJECT.
- 8- DISCLAIMER: ENGCO INC. HAS NO CONTROL IN THE MANUFACTURING AND/OR PERFORMANCE OF THIS PRODUCT. THESE GENERIC PLANS WERE ENGINEERED IN ACCORDANCE WITH ACCEPTED ENGINEERING PRACTICES AND TEST DATA PROVIDED BY THE MANUFACTURER.
- 9- THE ROLL-UP MECHANISM (GEARS, MOTORS, SUPPORTING END PLATES) ARE NOT PART OF THIS APPROVAL. MANUFACTURER ARE RESPONSIBLE TO SPECIFY THESE COMPONENTS FOR PROPER DOOR OPERATION.
- 10- LIMITATIONS: PRODUCT MUST BE INSTALLED OFFSET FROM GLAZING PRODUCTS AS INDICATED PER TABLE 1.

**CODE AND STANDARD COMPLIANCE:**  
 FLORIDA BUILDING CODE 2017- 6TH EDITION  
 (HVHZ & non HVHZ)  
 TAS 201, TAS 202, TAS 203 (LARGE MISSILE)  
 ASCE 7-10, ADM-15

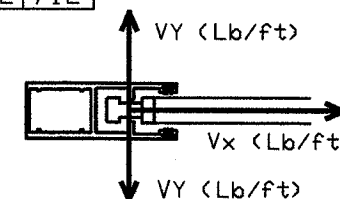
**TABLE 1  
 ALLOWABLE DESIGNED PRESSURE**

FW MAX. (IN)	TT MAX. (IN)	DESIGN RATING (PSF)	GS MIN. (IN)
293 3/8	287 1/16	±30	27 1/4
278 1/16	271 3/4	±40	27 1/4
262 9/16	256 1/4	±50	27 1/4
246 15/16	240 5/8	±60	27 1/4
231	224 11/16	±70	22
222 5/16	216	±75	22
216 5/16	210	±79	22
210 5/16	204	±83	22
204 5/16	198	±87	22
198 5/16	192	±90	22
192 5/16	186	±94	22
186 5/16	180	±98	15 5/8
180 5/16	174	±102	15 5/8
174 5/16	168	±105	15 5/8
168 5/16	162	±109	15 5/8
162 5/16	156	±113	15 5/8
156 5/16	150	±116	15 5/8
150 5/16	144	±120	14 3/8

GLASS SEPARATION (GS):

PRODUCT IS QUALIFIED AS "NON POROUS", THEREFORE GLAZING SEPARATION IS NOT REQUIRED WITH EXCEPTION FOR THE FOLLOWING LOCATIONS:  
 1- HIGH VELOCITY HURRICANE ZONES (HVHZ MIAMI-DADE & BROWARD COUNTIES)  
 2- WIND ZONE 4 AS DEFINED IN ASTM E 1996  
 3- ESSENTIAL FACILITIES AS DEFINED IN ASCE 7

LOAD psf	TRACK TO TRACK (TT)											
	144		162		180		204		224-11/16		287-1/16	
	VX	VY	VX	VY	VX	VY	VX	VY	VX	VY	VX	VY
20	0	122	0	137	332	152	777	172	1104	189	1148	241
30	0	183	373	205	796	228	1149	258	1428	283	1148	361
40	254	243	691	273	1152	303	1306	343	1494	378		
50	448	304	897	342	1370	379	1410	429	1555	472		
60	603	365	1005	410	1439	455	1460	515	1599	567		
70	728	426	1005	478	1341	531	1533	601	1739	661		
80	832	487	1005	547	1341	607	1592	687				
83	812	504	1007	567	1348	629	1672	712				
90	763	548	1029	615	1365	683						
98	722	596	1050	670	1431	743						
100	711	608	1055	683								
109	762	663	1149	745								
110	768	669										
120	818	730										

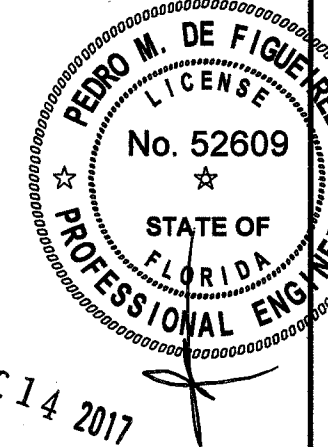


CONTRACTOR TO VERIFY ADEQUACY OF STRUCTURE FOR MAXIMUM IMPOSED LOADS VY AND Vx

**DESIGN SCHEDULE**

COMPONENT	SHEET
SLAT ALLOWABLE PRESSURE - TABLE 1	1
TRACK REACTION - TABLE 2	1
TRACK ANCHORAGE	3, 4, 5 & 6
MULLION	7 & 8

NOTES:  
 1- ALLOWABLE DESIGNED PRESSURE ARE FUNCTION OF THE LOWEST ALLOWABLE DESIGNED LOAD FOR EACH COMPONENT (SLATS, ANCHORAGE & MULLIONS)  
 2- DESIGNED PRESSURES MUST NOT EXCEED 120 PSF.  
 3- TRACK TO TRACK DIMENSION (TT) MUST NOT EXCEED 287 1/16".



DEC 14 2017

ENGINEERING  
 ENGCO INC. - CA 8116  
 1791 BLOUNT ROAD  
 POMPANO BEACH - FL - 33069  
 ENGCO@AOL.COM  
 ENGINEER SEAL  
 PEDRO DE FIGUEIREDO  
 PE 52609

PRODUCT:  
 E555 SUP  
 ROLLING DOOR  
 LARGE & SMALL MISSILE  
 IMPACT RATED

MANUFACTURER:  
 CROCI  
 NORTH AMERICA  
 11600 ADELMO LANE FORT MYERS, FL 33966  
 TEL.: (239) 278-3066 - FAX: (239) 278-5977  
 EMAIL: INFO@CROCIUSA.COM

PK

DRAFTING#MORE INC

SCALE:

NA

DATE:

12/14/17

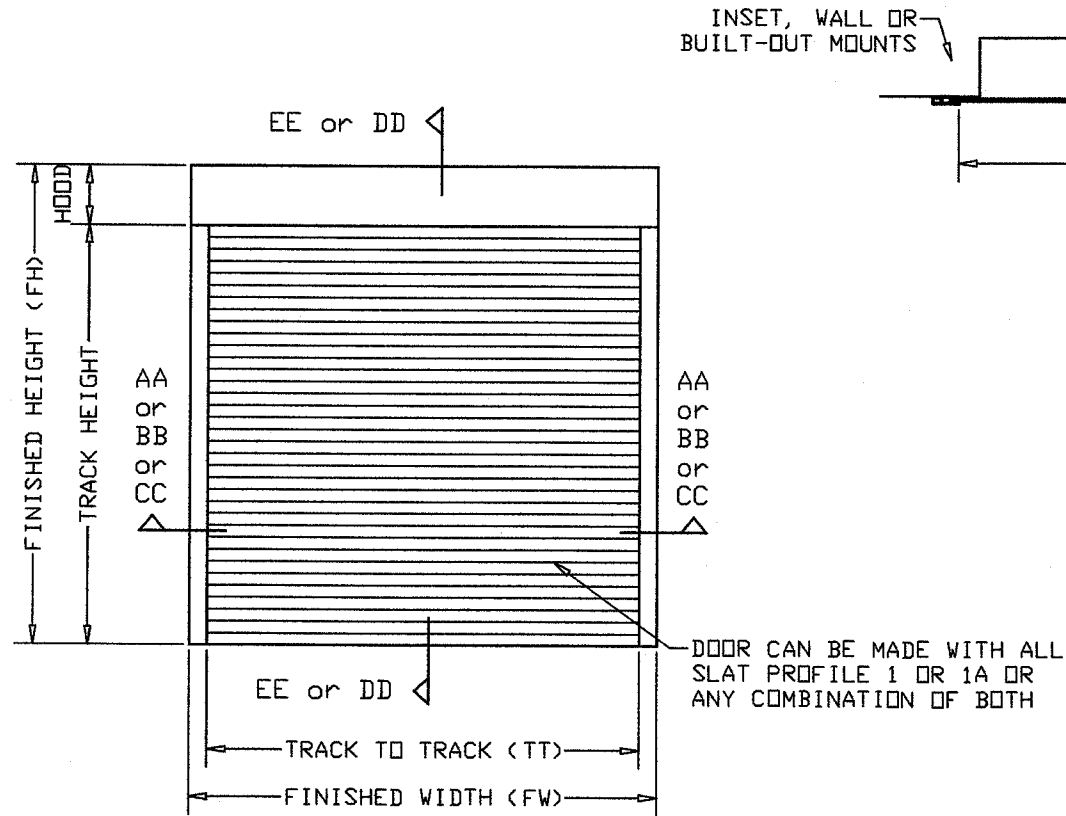
DRAWING #

17-877

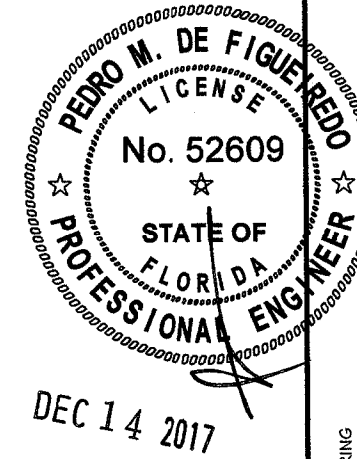
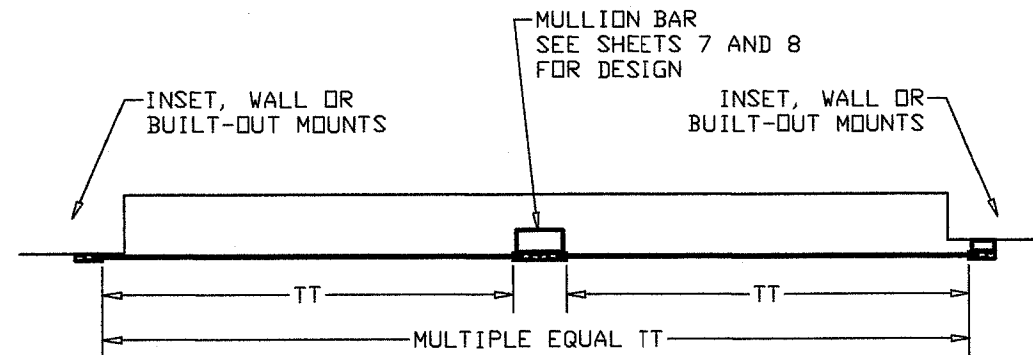
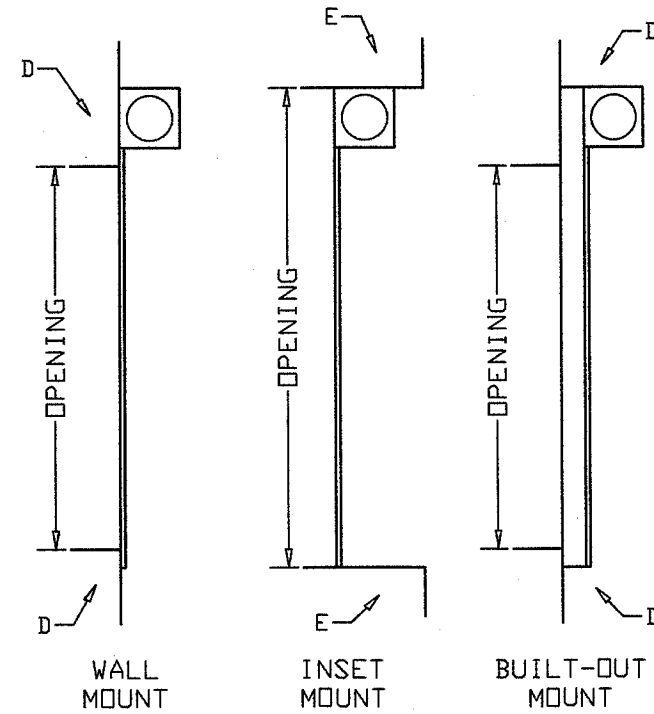
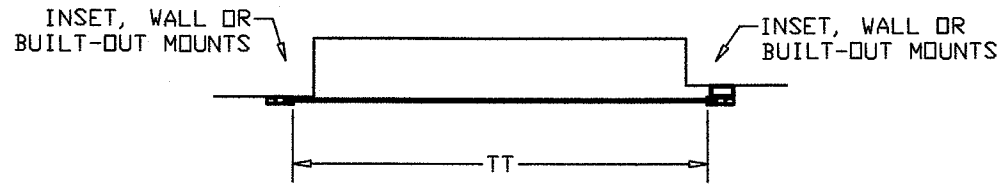
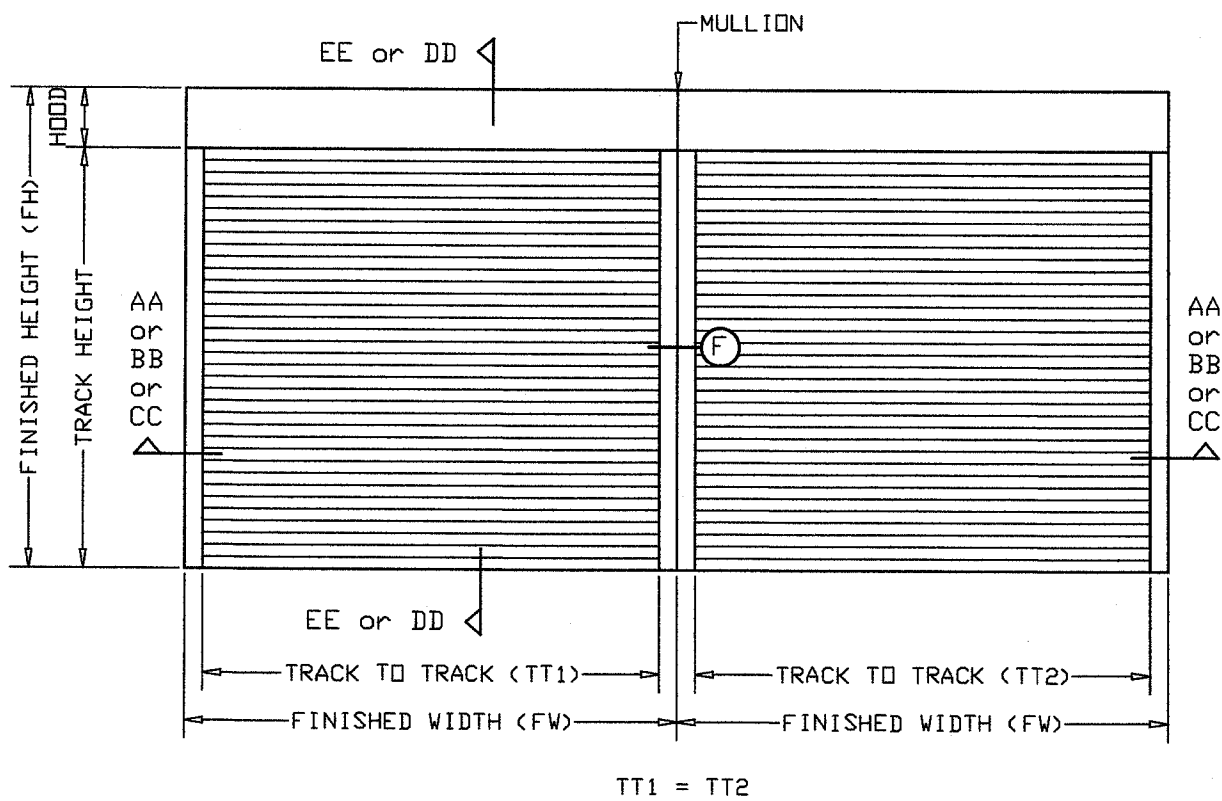
SHEET

1 of 9

TYPICAL SINGLE UNIT ELEVATION



TYPICAL MULTIPLE UNITS ELEVATION



ENGINEER SEAL  
 PEDRO DE FIGUEREDO  
 PE 52609  
 ENGINEERING  
 ENGCO INC. - CA 8116  
 1791 BLOUNT ROAD  
 POMPANO BEACH - FL - 33069  
 ENGCO@AOL.COM

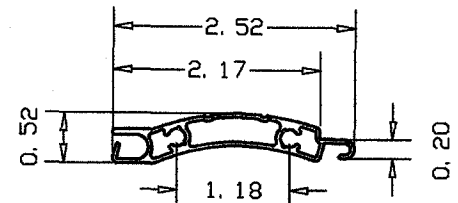
PRODUCT:  
 E555 SUP  
 ROLLING DOOR  
 LARGE # SMALL MISSILE  
 IMPACT RATED

MANUFACTURER:  
 CROCI  
 NORTH AMERICA  
 11600 ADELMO LANE FORT MYERS, FL 33966  
 TEL.: (239) 278-3066 - FAX: (239) 278-5977  
 EMAIL: INFO@CROCIUSA.COM

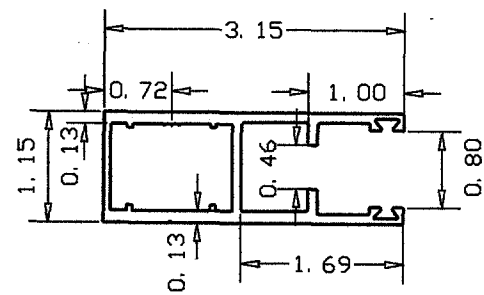
PK  
 DRAFTING#MORE INC

SCALE:  
 NA  
 DATE:  
 12/14/17  
 DRAWING #  
 17-877  
 SHEET  
 2 of 9

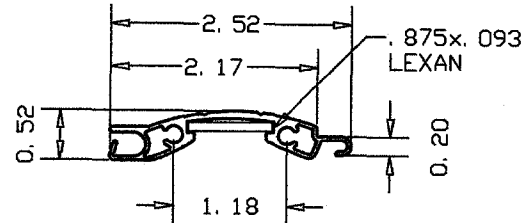
PRODUCT COMPONENTS



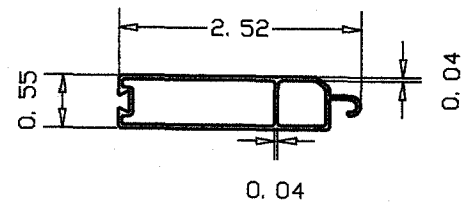
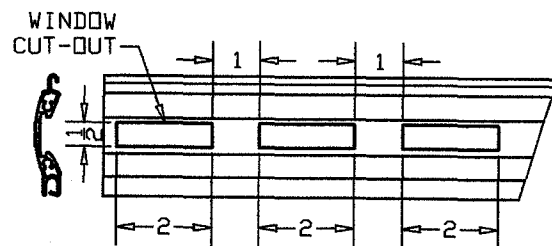
1- ES55 SUP SLAT  
EXTRUDED ALUMINUM 6063-T6



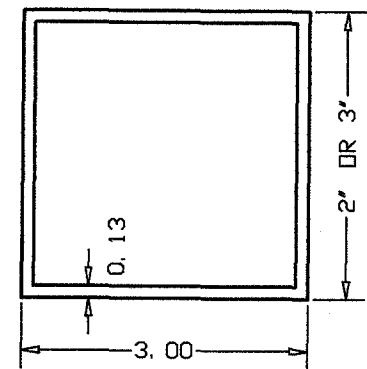
5- GE4580 SUP  
3' ALUMINUM SIDE RAIL  
EXTRUDED ALUMINUM 6063-T6



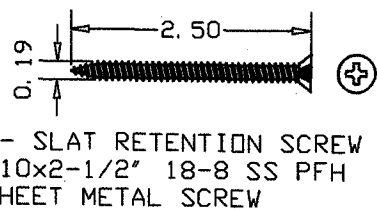
1A- ES55 LEX W/LEXAN INSERT  
EXTRUDED ALUMINUM 6063-T6



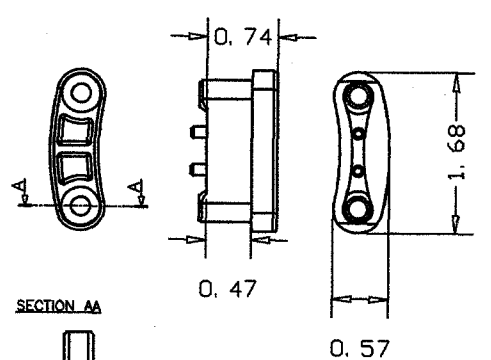
2- TE14X56U END SLAT  
6063-T6 EXTRUDED ALUMINUM



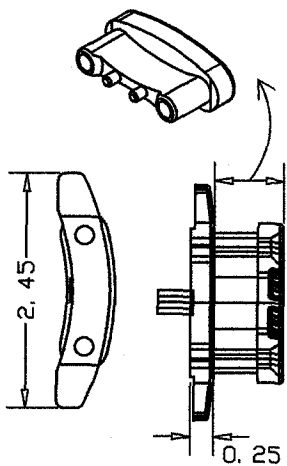
6- 1/8-3X3 TUBE DR  
6A- 1/8-2X3 TUBE  
EXTRUDED ALUMINUM 6063-T6



3- SLAT RETENTION SCREW  
#10x2-1/2" 18-8 SS PFH  
SHEET METAL SCREW



4- NYLON SLAT LOCK



SLAT END RETENTION LAY-OUT

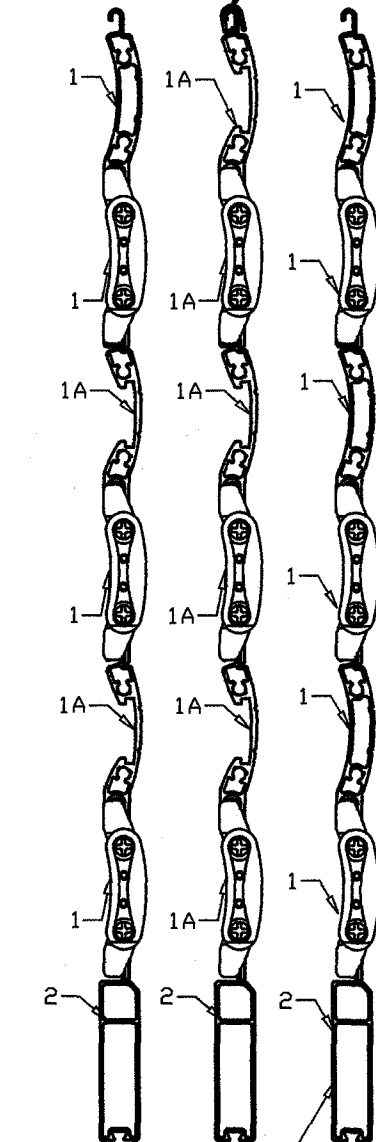
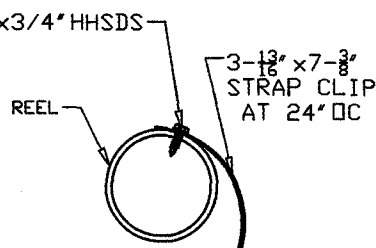
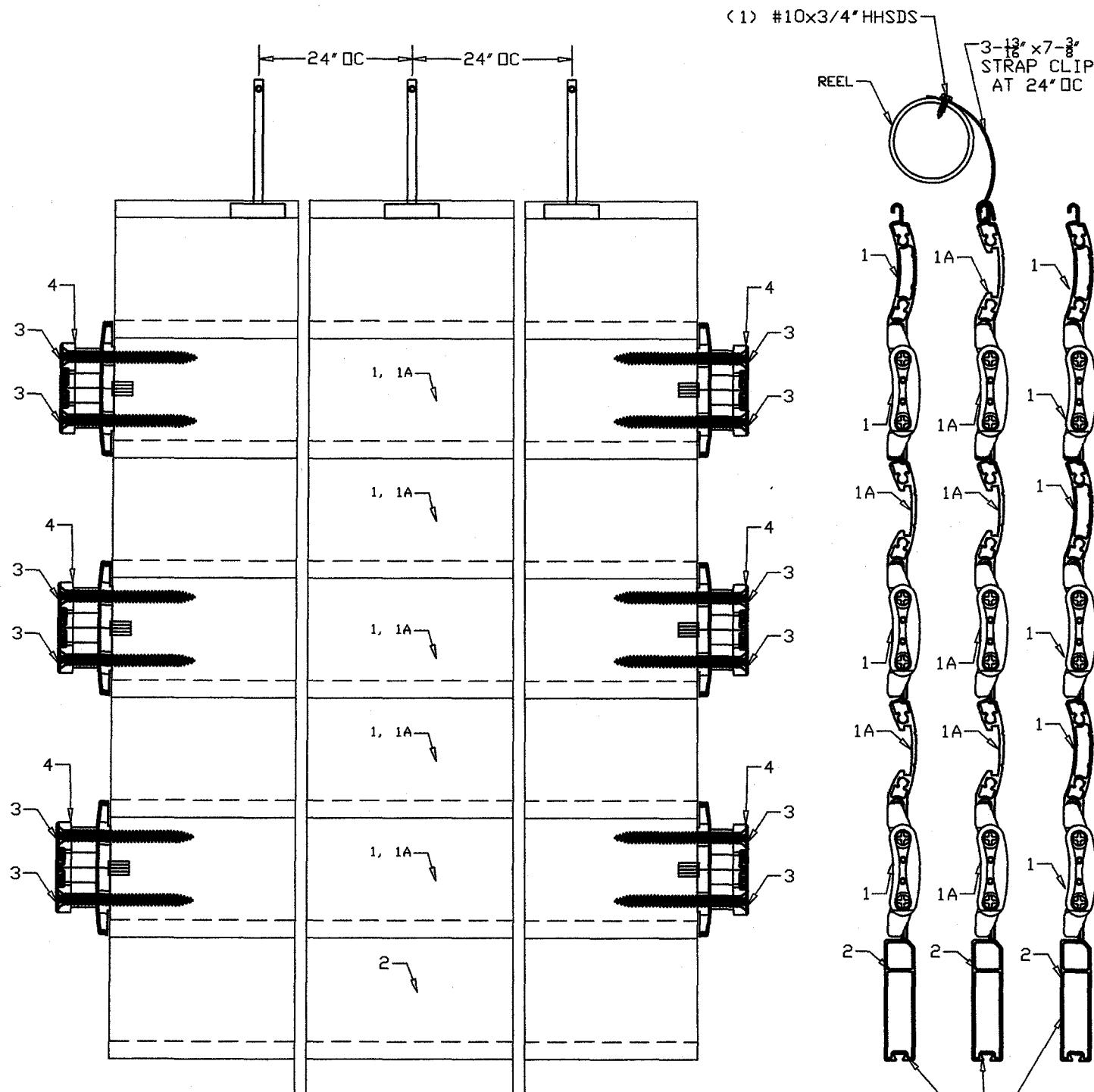


ILLUSTRATION ONLY  
DOOR CAN BE MADE WITH ALL  
SLAT PROFILE 1 OR 1A OR  
ANY COMBINATION OF BOTH

PEDRO M. DE FIGUEIREDO  
LICENSE  
No. 52609  
STATE OF FLORIDA  
PROFESSIONAL ENGINEER  
DEC 14 2017

ENGINEERING  
ENGCO INC. - CA 81  
1791 BLOUNT ROAD  
POMPANO BEACH - FL - 33069  
ENGCO@AOL.COM  
PE 52609

PRODUCT:  
ES55 SUP  
ROLLING DOOR  
LARGE & SMALL MISSILE  
IMPACT RATED

MANUFACTURER:  
CROCI  
NORTH AMERICA  
11600 ADELMO LANE FORT MYERS, FL 33966  
TEL.: (239) 278-3066 - FAX: (239) 278-5977  
EMAIL: INFO@CROCIUSA.COM

PK  
DRAFTING#MORE INC  
SCALE:  
NA  
DATE:  
12/14/17  
DRAWING #  
17-877  
SHEET  
3 of 9

TYPICAL VERTICAL SECTIONS

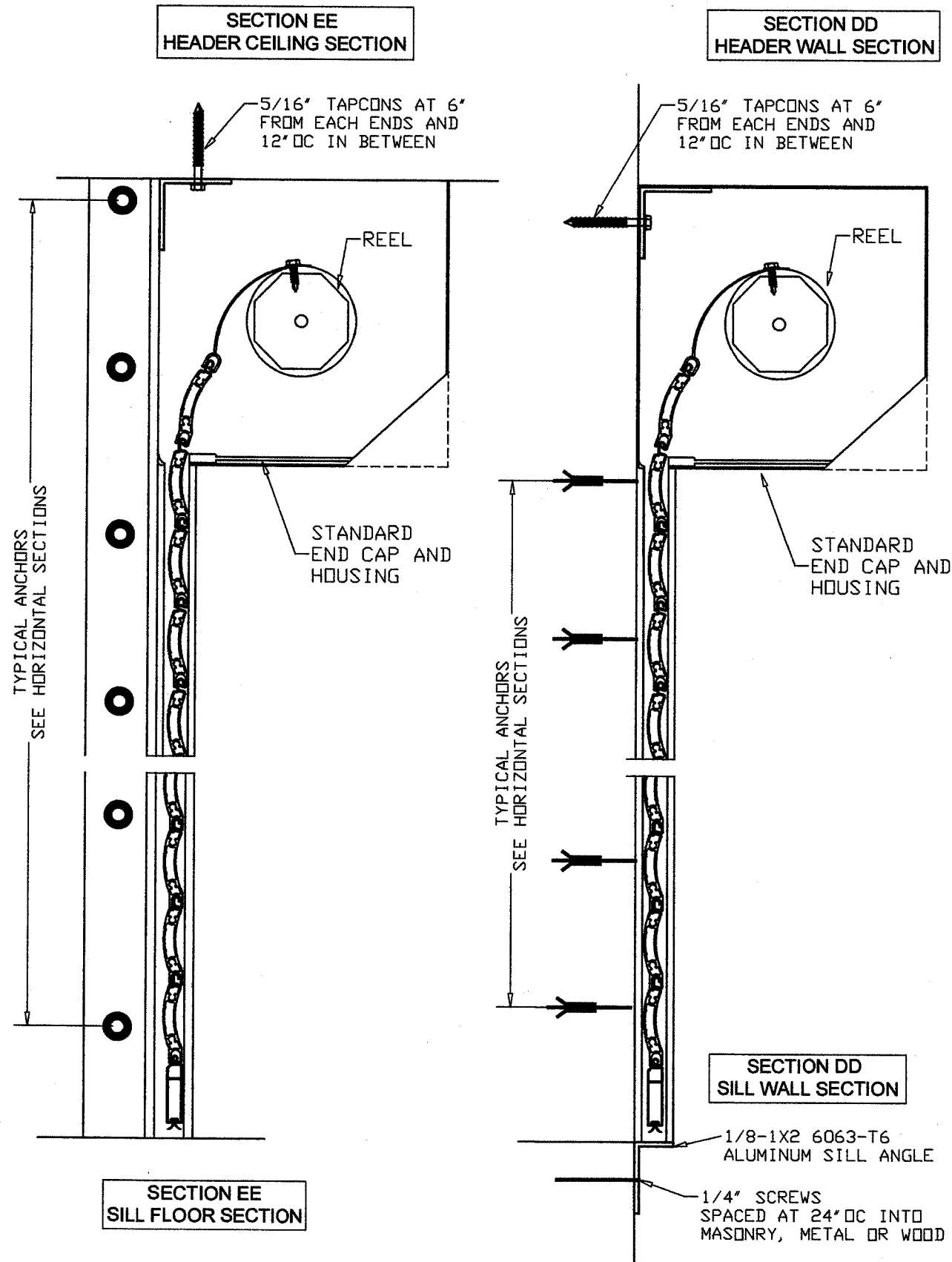
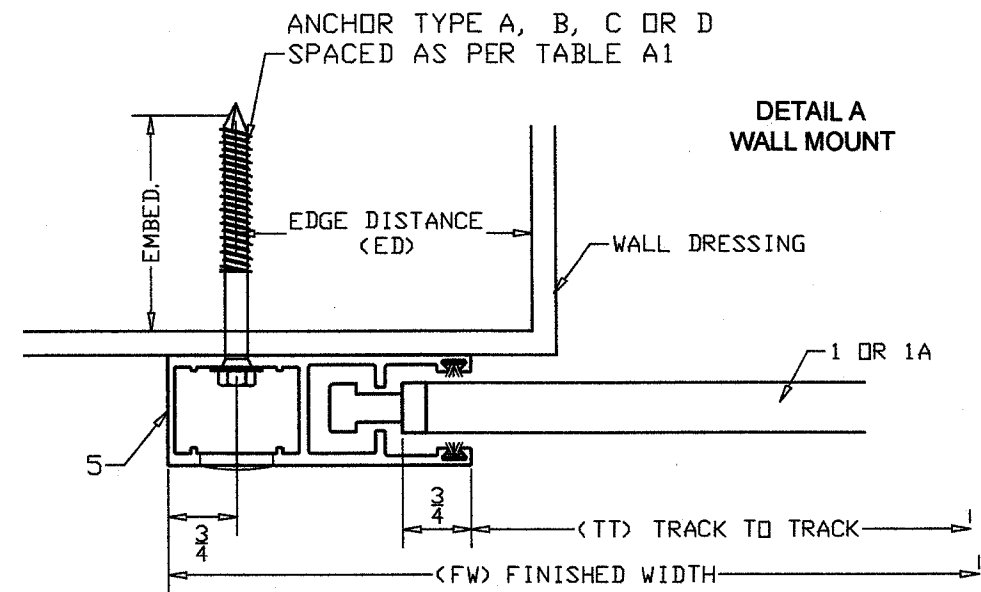


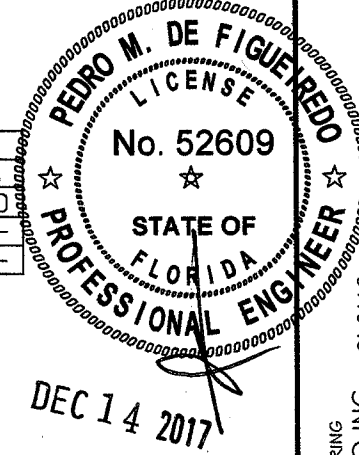
TABLE A1  
 SPACING ON CENTER FOR WALL MOUNT INSTALLATION

LOAD Psf	TRACK TO TRACK																							
	144			162			180			204			224-11/16			287-1/16								
	A	B	C	D	A	B	C	D	A	B	C	D	A	B	C	D	A	B	C	D				
20	6	6	6	6	6	6	6	6	6	6	6	6	6	6	6	5	6	6	5	3	4	4	4	-
30	6	6	6	6	6	6	6	6	6	6	6	5	6	6	5	3	5	5	4	-	4	4	4	-
40	6	6	6	6	6	6	6	5	6	6	5	3	6	5	4	3	5	5	4	-	-	-	-	-
50	6	6	6	6	6	6	6	4	5	5	4	-	5	5	4	-	5	4	3	-	-	-	-	-
60	6	6	6	5	6	6	5	3	5	5	4	-	5	5	4	-	4	4	3	-	-	-	-	-
70	6	6	5	4	6	6	4	3	5	5	4	-	4	4	3	-	4	4	3	-	-	-	-	-
80	6	6	5	4	5	5	4	3	4	4	3	-	4	4	3	-	-	-	-	-	-	-	-	-
83	6	6	4	4	5	5	4	3	4	4	3	-	4	4	3	-	-	-	-	-	-	-	-	-
90	5	6	4	3	4	5	4	3	4	4	3	-	-	-	-	-	-	-	-	-	-	-	-	-
98	5	5	4	3	4	4	3	3	4	4	3	-	-	-	-	-	-	-	-	-	-	-	-	-
100	5	5	4	3	4	4	3	3	-	-	-	-	-	-	-	-	-	-	-	-	-	-	-	-
109	4	5	3	3	4	4	3	-	-	-	-	-	-	-	-	-	-	-	-	-	-	-	-	-
120	4	5	3	3	-	-	-	-	-	-	-	-	-	-	-	-	-	-	-	-	-	-	-	-



ANCHOR SCHEDULE:

ANCHOR	DESCRIPTION	MATERIAL	EMBEDMENT	EDGE DISTANCE
A	5/16" ITW TAPCONS	MIN. 2899 psi CONCRETE	2 1/4"	3 1/8"
B	5/16" ITW TAPCONS	GROUT FILLED C-90 BLOCK	2 1/4"	4"
C	1/4"-14X1" GRADE 5 SELF DRILLING SCREWS	MIN. 1/4" 6063-T6 ALUM. OR A36 1/8" STEEL		1/2" 3/8"
D	5/16" X3" TAPCONS	WOOD WITH G>= .55	2 1/4"	1-1/4"
E	3/8" POWERS WEDGE BOLT	MIN. 3000 psi CONCRETE	3 1/2"	4-1/2"



ENGINEERING  
 ENGCO INC. - CA 8116  
 1791 BLOUNT ROAD  
 POMPANO BEACH - FL - 33069  
 PEDRO DE FIGUEREDO  
 ENGCO@AOL.COM  
 PE 52609

PRODUCT:  
 E555 SUP  
 ROLLING DOOR  
 LARGE & SMALL MISSILE  
 IMPACT RATED

MANUFACTURER:  
 CROCI  
 NORTH AMERICA  
 11600 ADELMO LANE FORT MYERS, FL 33966  
 TEL: (239) 278-3066 - FAX: (239) 278-5977  
 EMAIL: INFO@CROCIUSA.COM

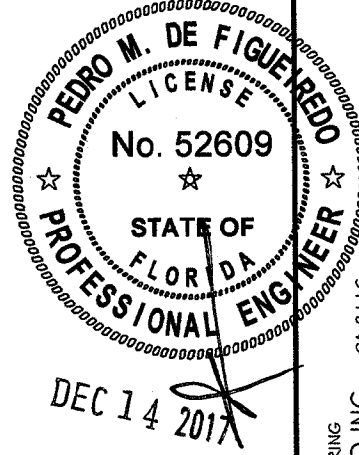
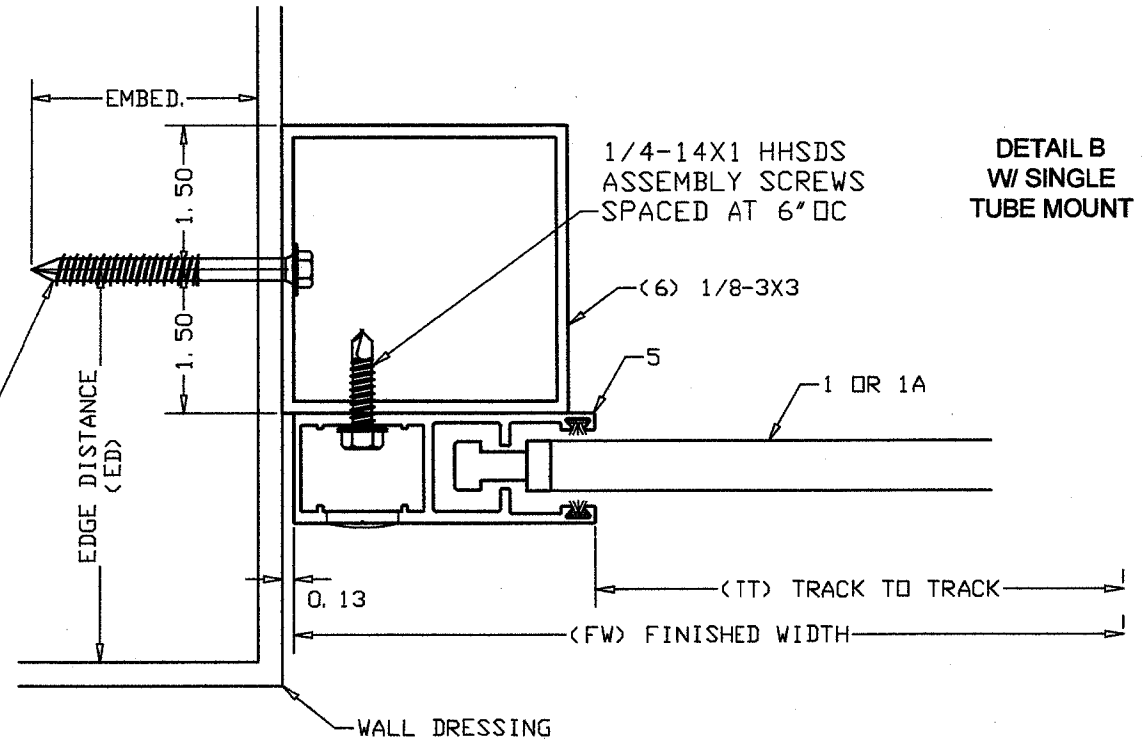
PK  
 DRAFTING#MORE INC  
 SCALE:  
 NA  
 DATE:  
 12/14/17  
 DRAWING #  
 17-877  
 SHEET  
 4 of 9

TABLE A2  
SPACING ON CENTER FOR ONE ANGLE INSET MOUNT INSTALLATION

LOAD Psf	TRACK TO TRACK																							
	144				162				180				204				224-11/16				287-1/16			
	A	B	C	D	A	B	C	D	A	B	C	D	A	B	C	D	A	B	C	D	A	B	C	D
20	6	6	6	6	6	6	6	6	6	6	6	6	4	5	3	4	-	-	-	-	-	-	-	
30	6	6	6	6	6	6	6	6	4	4	3	4	-	-	-	3	-	-	-	-	-	-	-	
40	6	6	6	6	4	4	3	4	-	-	-	3	-	-	-	-	-	-	-	-	-	-	-	
50	5	6	4	5	-	-	-	3	-	-	-	-	-	-	-	-	-	-	-	-	-	-	-	
60	4	4	3	4	-	-	-	-	-	-	-	-	-	-	-	-	-	-	-	-	-	-	-	
70	-	4	3	3	-	-	-	-	-	-	-	-	-	-	-	-	-	-	-	-	-	-	-	
80	-	-	-	3	-	-	-	-	-	-	-	-	-	-	-	-	-	-	-	-	-	-	-	
83	-	-	-	3	-	-	-	-	-	-	-	-	-	-	-	-	-	-	-	-	-	-	-	
90	-	-	-	-	-	-	-	-	-	-	-	-	-	-	-	-	-	-	-	-	-	-	-	
98	-	-	-	-	-	-	-	-	-	-	-	-	-	-	-	-	-	-	-	-	-	-	-	
100	-	-	-	-	-	-	-	-	-	-	-	-	-	-	-	-	-	-	-	-	-	-	-	
109	-	-	-	-	-	-	-	-	-	-	-	-	-	-	-	-	-	-	-	-	-	-	-	
120	-	-	-	-	-	-	-	-	-	-	-	-	-	-	-	-	-	-	-	-	-	-	-	

ANCHOR TYPE A, B, C OR D  
SPACED AS PER TABLE A2 OR  
ANCHOR TYPE E SPACED AT 5' OC  
WITH TT x PRESSURE TABLE BELOW:

ANCHOR TYPE E SPACED AT 5' OC						
TT (IN)	144	162	180	204	224 1/16	287 1/16
LOAD (PSF)	120	109	90	70	60	30



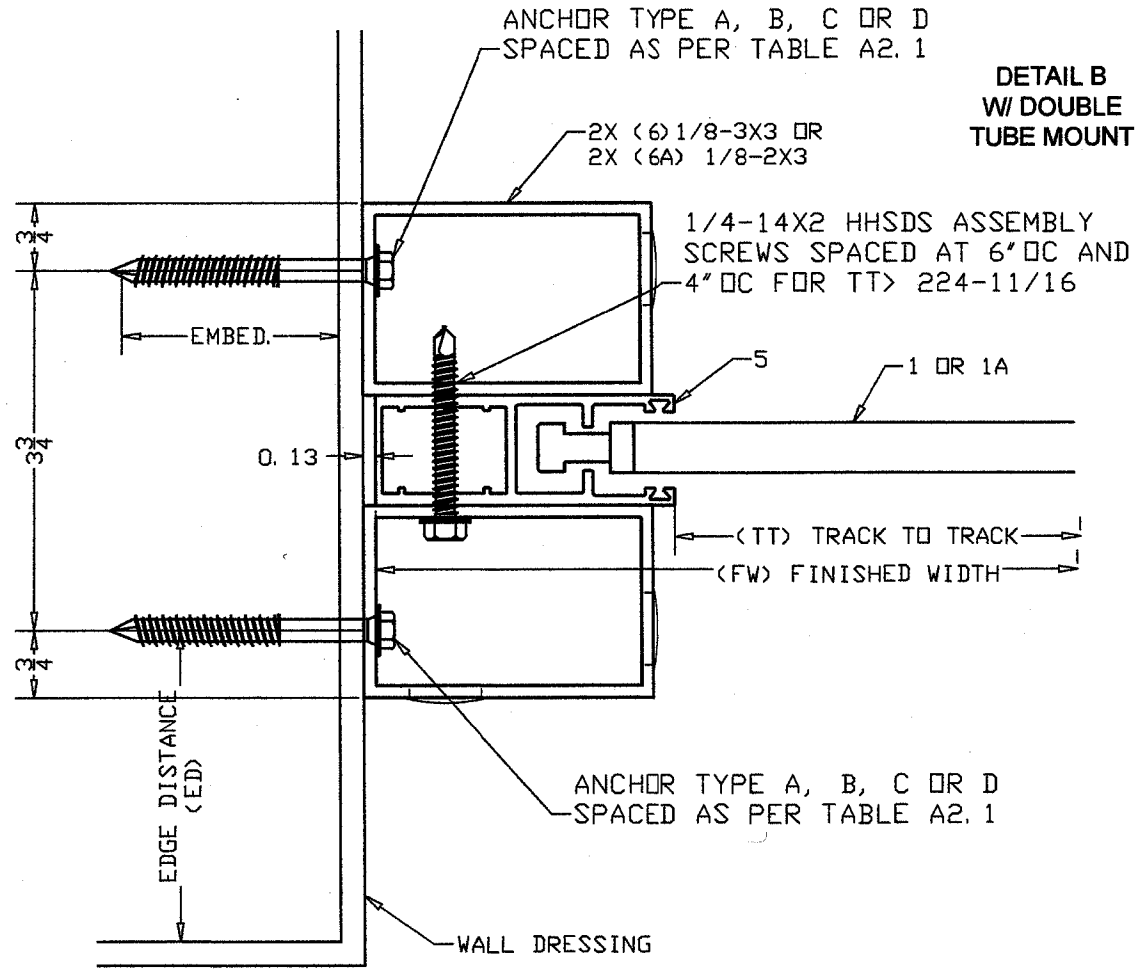
ENGINEERING  
ENGCO INC. - CA 8116  
1791 BLOUNT ROAD  
POMPANO BEACH - FL - 33069  
ENGCO@AOL.COM  
ENGINEER SEAL  
PEDRO DE FIGUEIREDO  
PE 52609

ANCHOR SCHEDULE:

ANCHOR	DESCRIPTION	MATERIAL	EMBEDMENT	EDGE DISTANCE
A	5/16" ITW TAPCONS	MIN. 2899 psi CONCRETE	2 1/4"	3 1/8"
B	5/16" ITW TAPCONS	GROUT FILLED C-90 BLOCK	2 1/4"	4"
C	1/4"-14X1" GRADE 5 SELF DRILLING SCREWS	MIN. 1/4" 6063-T6 ALUM.		1/2"
		OR A36 1/8" STEEL		3/8"
D	5/16" X3" TAPCONS	WOOD WITH G>= .55	2 1/4"	1-1/4"
E	3/8" POWERS WEDGE BOLT	MIN. 3000 psi CONCRETE	3 1/2"	4-1/2"

TABLE A2.1  
SPACING ON CENTER FOR ONE ANGLE INSET MOUNT INSTALLATION

LOAD Psf	TRACK TO TRACK																							
	144				162				180				204				224-11/16				287-1/16			
	A	B	C	D	A	B	C	D	A	B	C	D	A	B	C	D	A	B	C	D	A	B	C	D
20	6	6	6	6	6	6	6	6	6	6	6	6	6	6	6	6	6	6	6	6	4	4	4	4
30	6	6	6	6	6	6	6	6	6	6	6	6	6	6	6	6	6	6	6	6	4	4	4	4
40	6	6	6	6	6	6	6	6	6	6	6	6	6	6	6	6	6	6	6	6	6	6	6	6
50	6	6	6	6	6	6	6	6	6	6	6	6	6	6	6	6	6	6	6	6	6	6	6	6
60	6	6	6	6	6	6	6	6	6	6	6	6	6	6	6	6	6	6	6	6	6	6	6	6
70	6	6	6	6	6	6	6	6	6	6	6	6	6	6	6	6	6	6	6	6	6	6	5	5
80	6	6	6	6	6	6	6	6	6	6	6	6	6	6	6	6	6	6	6	6	6	5	5	5
83	6	6	6	6	6	6	6	6	6	6	6	6	6	6	6	6	6	6	6	6	6	5	5	5
90	6	6	6	6	6	6	6	6	6	6	6	6	6	6	6	6	6	6	6	6	6	6	6	6
98	6	6	6	6	6	6	6	6	6	6	6	6	6	6	6	6	6	6	6	6	6	6	6	6
100	6	6	6	6	6	6	6	6	6	6	6	6	6	6	6	6	6	6	6	6	6	6	6	6
109	6	6	6	6	6	6	6	6	6	6	6	6	6	6	6	6	6	6	6	6	6	6	6	6
120	6	6	6	6	6	6	6	6	6	6	6	6	6	6	6	6	6	6	6	6	6	6	6	6



PRODUCT:  
E555 SUP  
ROLLING DOOR  
LARGE & SMALL MISSILE  
IMPACT RATED

MANUFACTURER:  
CROCI  
NORTH AMERICA  
11600 ADELMO LANE FORT MYERS, FL 33966  
TEL: (239) 278-3066 - FAX: (239) 278-5977  
EMAIL: INFO@CROCIUSA.COM

PK  
DRAFTING#MORE INC  
SCALE:  
NA  
DATE:  
12/14/17  
DRAWING #  
17-877  
SHEET  
5 of 9

**TABLE A3  
SPACING ON CENTER FOR 1/8-2X3 BUILT-OUT MOUNT INSTALLATION**

LOAD Psf	TRACK TO TRACK																							
	144				162				180				204				224-11/16				287-1/16			
	A	B	C	D	A	B	C	D	A	B	C	D	A	B	C	D	A	B	C	D	A	B	C	D
20	6	6	6	6	6	6	6	6	6	6	6	6	4	5	3	3	-	-	-	-	-	-	-	
30	6	6	6	6	6	6	6	6	4	4	3	3	-	-	-	-	-	-	-	-	-	-		
40	6	6	6	6	5	5	4	3	-	-	-	-	-	-	-	-	-	-	-	-	-	-		
50	6	6	6	5	-	4	3	-	-	-	-	-	-	-	-	-	-	-	-	-	-	-		
60	5	6	4	4	-	-	-	-	-	-	-	-	-	-	-	-	-	-	-	-	-	-		
70	4	5	3	3	-	-	-	-	-	-	-	-	-	-	-	-	-	-	-	-	-	-		
80	4	4	3	3	-	-	-	-	-	-	-	-	-	-	-	-	-	-	-	-	-	-		
83	4	4	3	3	-	-	-	-	-	-	-	-	-	-	-	-	-	-	-	-	-	-		
90	4	4	3	3	-	-	-	-	-	-	-	-	-	-	-	-	-	-	-	-	-	-		
98	4	4	3	3	-	-	-	-	-	-	-	-	-	-	-	-	-	-	-	-	-	-		
100	4	4	3	3	-	-	-	-	-	-	-	-	-	-	-	-	-	-	-	-	-	-		
109	4	4	3	3	-	-	-	-	-	-	-	-	-	-	-	-	-	-	-	-	-	-		
120	4	4	3	3	-	-	-	-	-	-	-	-	-	-	-	-	-	-	-	-	-	-		

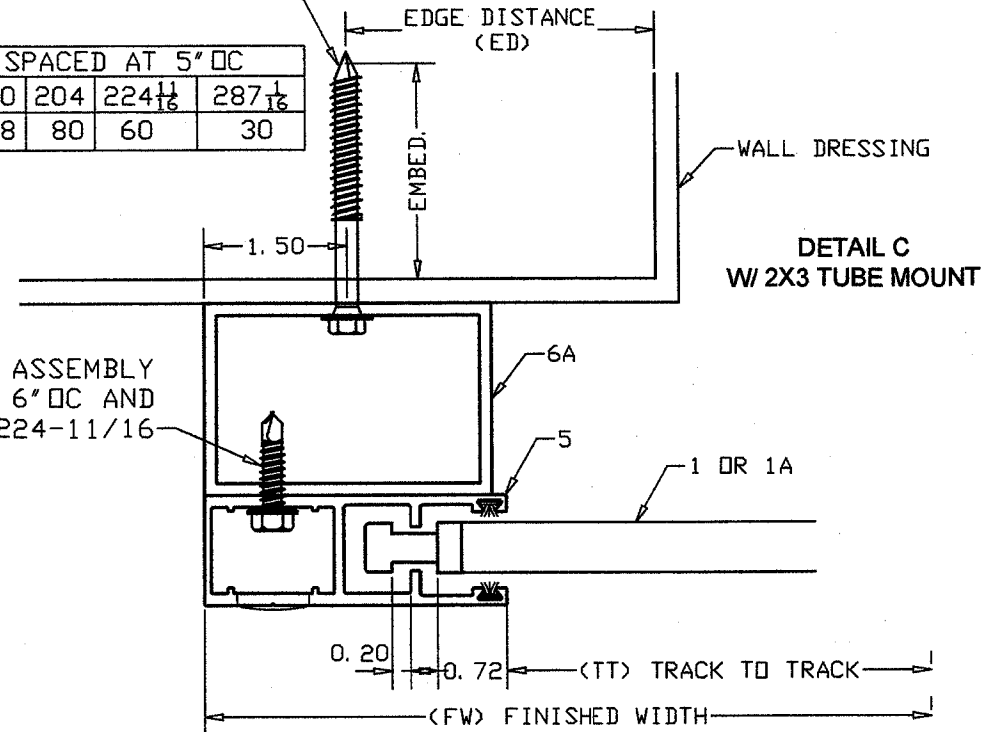
ANCHOR SCHEDULE:				
ANCHOR	DESCRIPTION	MATERIAL	EMBEDMENT	EDGE DISTANCE
A	5/16" ITW TAPCONS	MIN. 2899 psi CONCRETE	2 1/4"	3 1/8"
B	5/16" ITW TAPCONS	GROUT FILLED C-90 BLOCK	2 1/4"	4"
C	1/4"-14X1" GRADE 5 SELF DRILLING SCREWS	MIN. 1/4" 6063-T6 ALUM. OR A36 1/8" STEEL		1/2" OR 3/8"
D	5/16" X 3" TAPCONS	WOOD WITH G>= 55	2 1/4"	1-1/4"
E	3/8" POWERS WEDGE BOLT	MIN. 3000 psi CONCRETE	3 1/2"	4-1/2"

**TABLE A3.1  
SPACING ON CENTER FOR 1/8-3X3 BUILT-OUT MOUNT INSTALLATION**

LOAD Psf	TRACK TO TRACK																							
	144				162				180				204				224-11/16				287-1/16			
	A	B	C	D	A	B	C	D	A	B	C	D	A	B	C	D	A	B	C	D	A	B	C	D
20	6	6	6	6	6	6	6	6	6	6	6	6	-	4	3	3	-	-	-	-	-	-	-	
30	6	6	6	6	6	6	6	6	-	-	3	-	-	-	-	-	-	-	-	-	-	-	-	
40	6	6	6	6	4	4	3	3	-	-	-	-	-	-	-	-	-	-	-	-	-	-	-	
50	6	6	5	5	-	-	-	-	-	-	-	-	-	-	-	-	-	-	-	-	-	-	-	
60	4	5	3	3	-	-	-	-	-	-	-	-	-	-	-	-	-	-	-	-	-	-	-	
70	-	4	3	3	-	-	-	-	-	-	-	-	-	-	-	-	-	-	-	-	-	-	-	
80	-	-	-	-	-	-	-	-	-	-	-	-	-	-	-	-	-	-	-	-	-	-	-	
83	-	-	-	-	-	-	-	-	-	-	-	-	-	-	-	-	-	-	-	-	-	-	-	
90	-	-	-	-	-	-	-	-	-	-	-	-	-	-	-	-	-	-	-	-	-	-	-	
98	-	-	-	-	-	-	-	-	-	-	-	-	-	-	-	-	-	-	-	-	-	-	-	
100	-	-	-	-	-	-	-	-	-	-	-	-	-	-	-	-	-	-	-	-	-	-	-	
109	-	-	-	-	-	-	-	-	-	-	-	-	-	-	-	-	-	-	-	-	-	-	-	
120	-	-	-	-	-	-	-	-	-	-	-	-	-	-	-	-	-	-	-	-	-	-	-	

ANCHOR TYPE A, B, C OR D  
SPACED AS PER TABLE A3 OR  
ANCHOR TYPE E SPACED AT 5' OC  
WITH TTxPRESSURE TABLE BELOW:

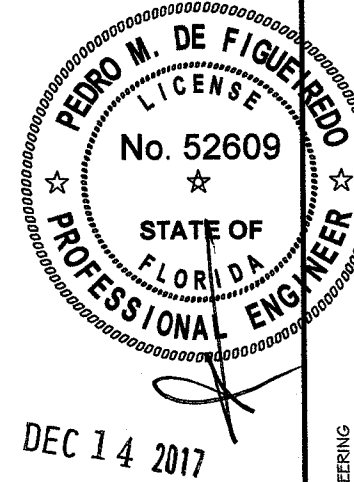
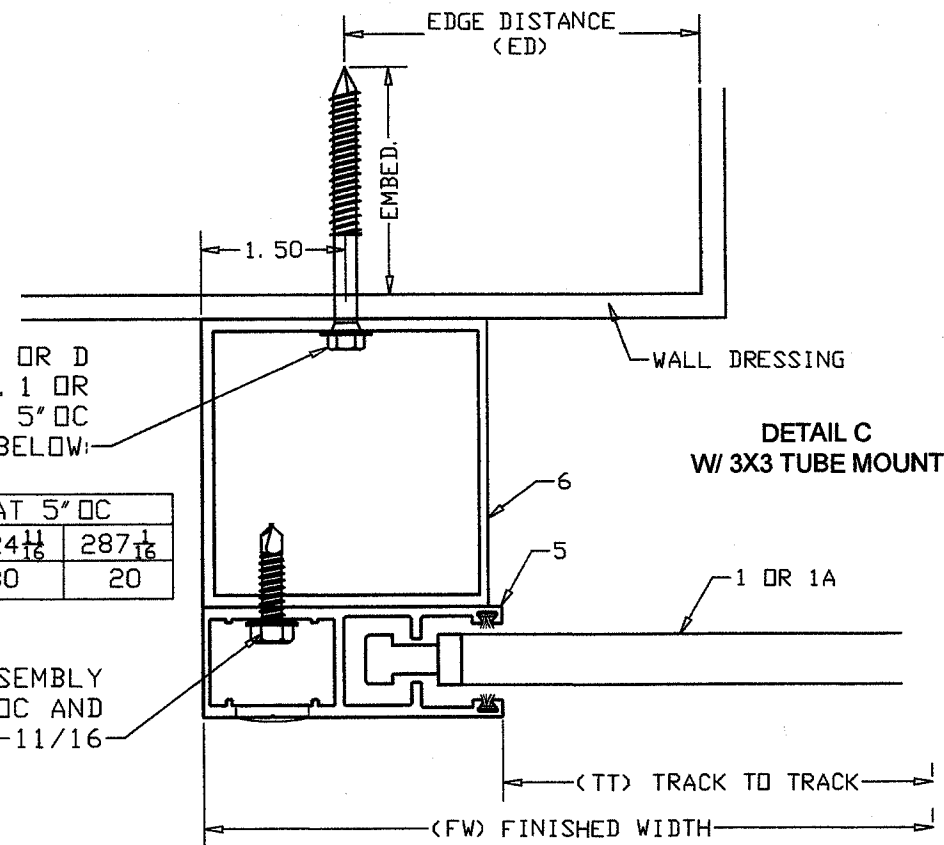
ANCHOR TYPE E SPACED AT 5' OC						
TT (IN)	144	162	180	204	224 1/16	287 1/16
LOAD (PSF)	120	109	98	80	60	30



ANCHOR TYPE A, B, C OR D  
SPACED AS PER TABLE A3.1 OR  
ANCHOR TYPE E SPACED AT 5' OC  
WITH TTxPRESSURE TABLE BELOW:

ANCHOR TYPE E SPACED AT 5' OC						
TT (IN)	144	162	180	204	224 1/16	287 1/16
LOAD (PSF)	120	109	83	40	30	20

1/4-14X1 HHS DS ASSEMBLY  
SCREWS SPACED AT 6" OC AND  
4" OC FOR TT > 224-11/16



ENGINEERING SEAL  
PEDRO DE FIGUEIREDO  
PE 52609  
ENGINEER SEAL  
PEDRO DE FIGUEIREDO  
PE 52609  
ENGINEERING  
ENGCO INC. - CA 8116  
1791 BLOUNT ROAD  
POMPANO BEACH - FL - 33069  
ENGCO@AOL.COM

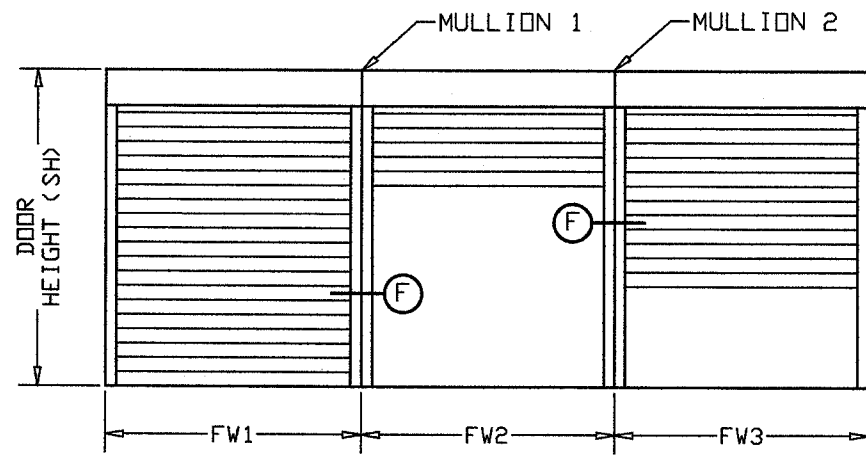
PRODUCT:  
E555 SUP  
ROLLING DOOR  
LARGE & SMALL MISSILE  
IMPACT RATED

MANUFACTURER:  
CROCI  
NORTH AMERICA  
11600 ADELMO LANE FORT MYERS, FL 33966  
TEL.: (239) 278-3066 - FAX: (239) 278-5977  
EMAIL: INFO@CROCIUSA.COM

PK  
DRAFTING#MORE INC

SCALE:  
NA  
DATE:  
12/14/17  
DRAWING #  
17-877  
SHEET  
6 of 9

**EQUALLY SPACED MULLIONS SELECTION**



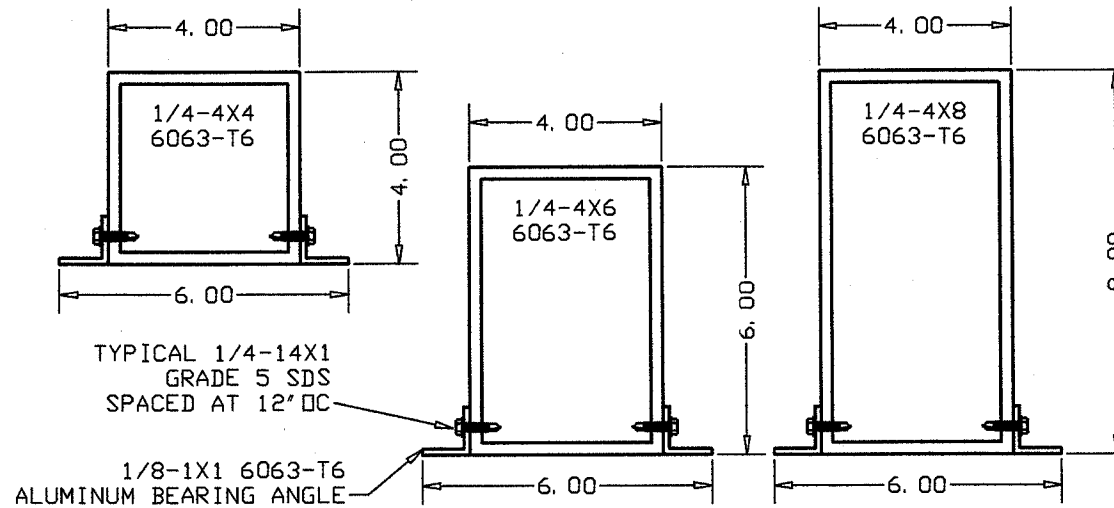
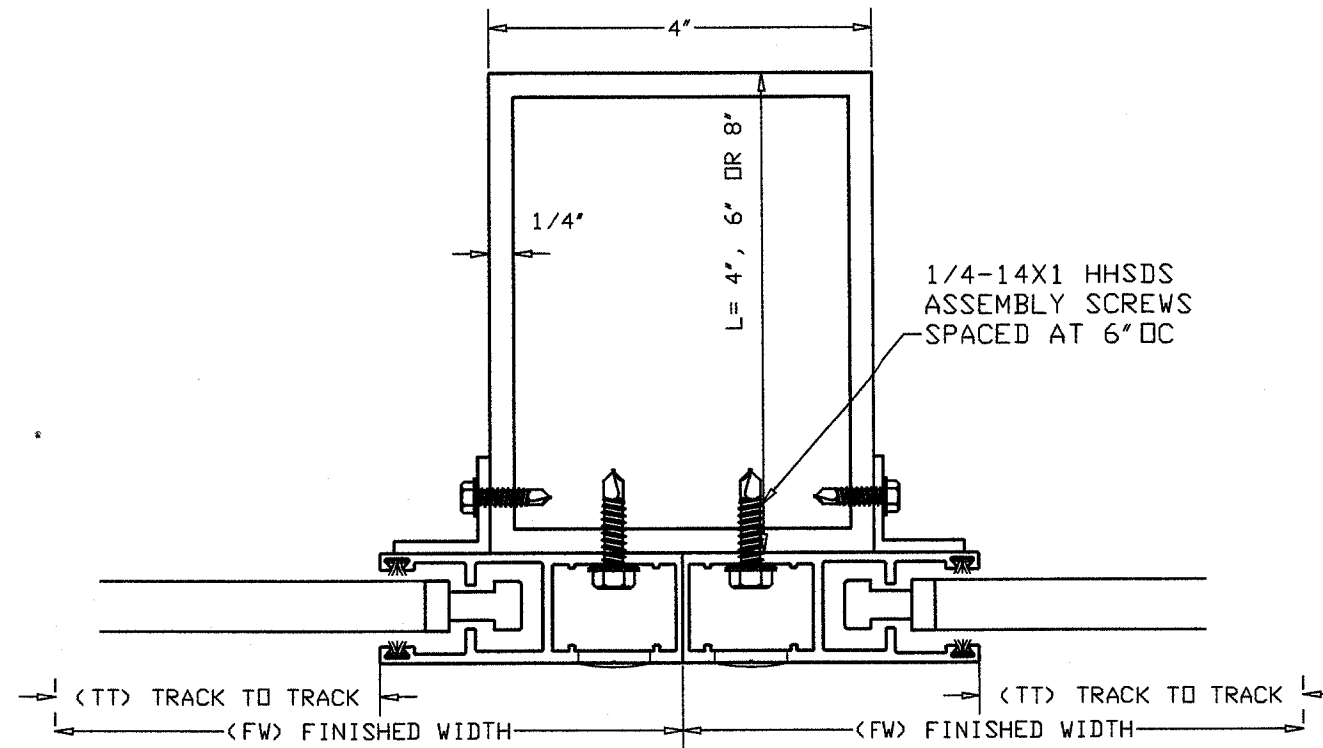
MULLION 1:  $TM1 = (FW1 + FW2) / 2$   
 MULLION 2:  $TM2 = (FW2 + FW3) / 2$   
 TM: TRIBUTARY MODULE

**MULLION BARS SELECTION TABLES (PSF)**

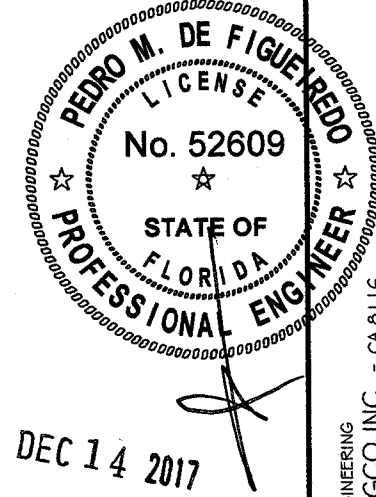
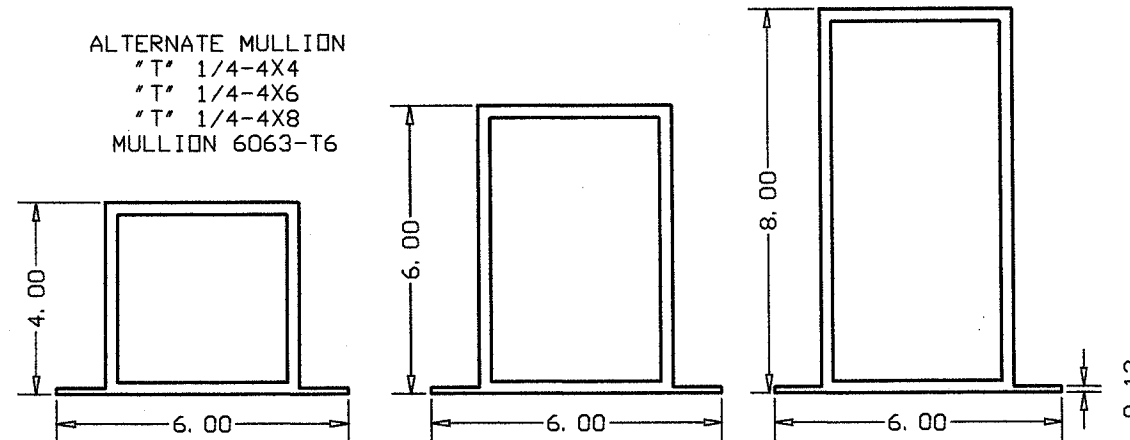
DOOR MODULE	MULLION TYPE & MAX. HEIGHT								
	1/4-4x8			1/4-4x6			1/4-4x4		
231	51	61	70	36	50	63	18	26	40
211	55	67	83	39	54	69	20	29	43
199	59	71	88	42	58	73	21	31	46
181	65	78	97	46	63	81	24	34	51
169	69	84	104	49	68	86	25	36	54
157	75	90	112	53	73	93	27	39	58
151	78	94	116	55	76	97	28	41	61

NOTES:  
 1- MULLIONS WERE DESIGNED BY RATIONAL ANALYSIS BASED ON THE ALUMINUM DESIGN MANUAL 2015 ED. AND THE FLORIDA BUILDING CODE.  
 2- DEFLECTION CRITERIA: MAXIMUM SPAN /180  
 3- VALUES ABOVE IS APPLICABLE ONLY FOR EQUAL MODULES  $FW1=FW2=FW3$ .  
 4- UNEQUAL MODULES ARE TO BE DESIGNED BY RATIONAL ANALYSIS IN A CASE BY CASE BASIS.

**MULLIONS SECTIONS (DETAIL F)**



ALTERNATE MULLION  
 "T" 1/4-4x4  
 "T" 1/4-4x6  
 "T" 1/4-4x8  
 MULLION 6063-T6



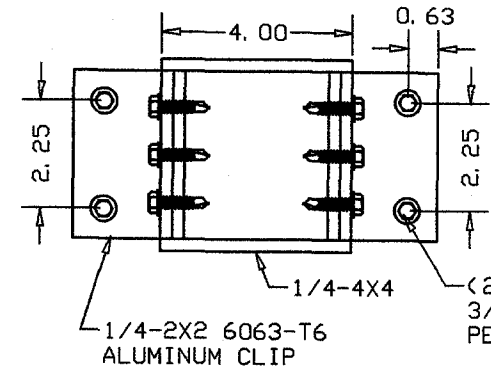
ENGINEERING  
 ENGCO INC. - CA 8116  
 1791 BLOUNT ROAD  
 POMPANO BEACH - FL - 33069  
 ENGCO@AOL.COM  
 ENGINEER SEAL  
 PEDRO DE FIGUEROA  
 PE 52609

PRODUCT:  
 ES55 SUP  
 ROLLING DOOR  
 LARGE # SMALL MISSILE  
 IMPACT RATED

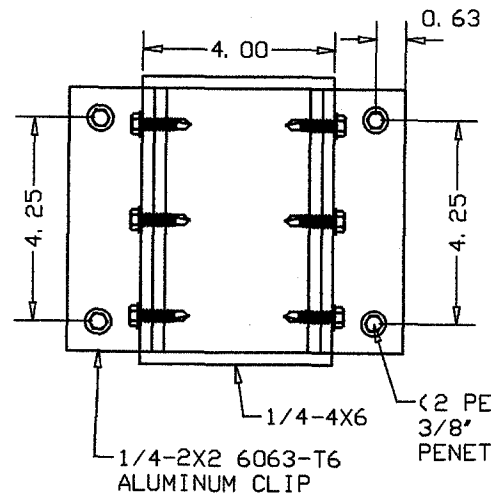
MANUFACTURER:  
 CROCI  
 NORTH AMERICA  
 11600 ADELMO LANE FORT MYERS, FL 33966  
 TEL: (239) 278-3066 - FAX: (239) 278-5977  
 EMAIL: INFO@CROCIUSA.COM

**PK**  
 DRAFTING#MORE INC  
 SCALE:  
 NA  
 DATE:  
 12/14/17  
 DRAWING #  
 17-877  
 SHEET  
 7 of 9

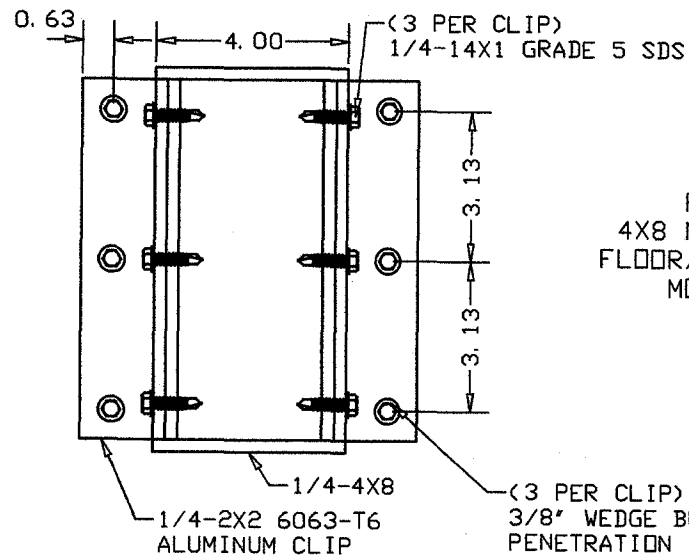
EQUALLY SPACED MULLIONS WALL AND INSET CONNECTIONS



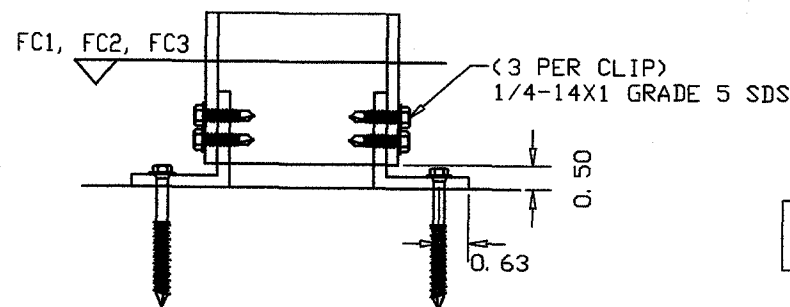
FC1  
4X4 MULLION  
FLOOR/CEILING  
MOUNT



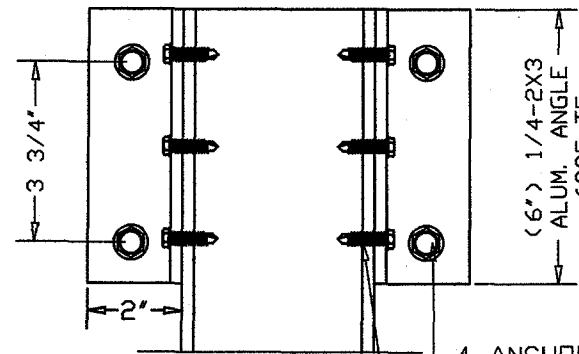
FC2  
4X6 MULLION  
FLOOR/CEILING  
MOUNT



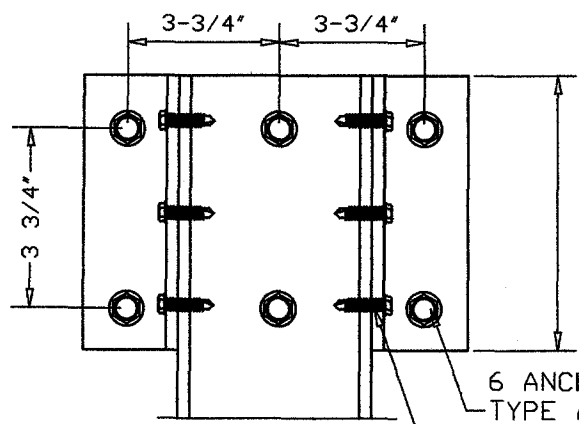
FC3  
4X8 MULLION  
FLOOR/CEILING  
MOUNT



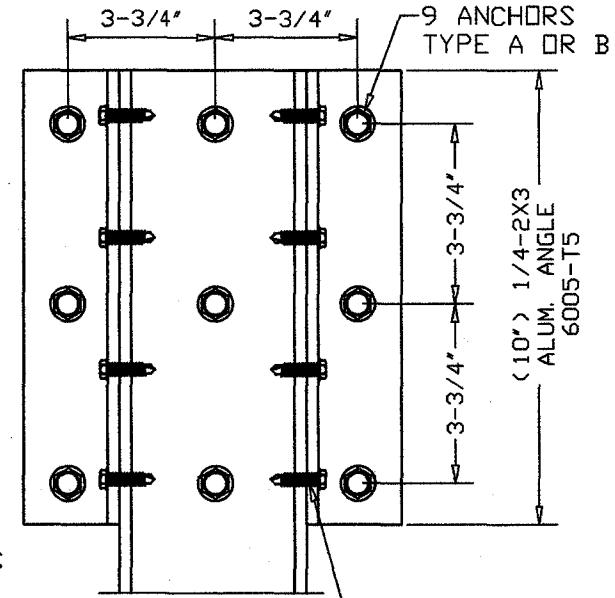
NOTE: ANGLE CLIP TO  
BE PLACED INSIDE TUBE



W4  
WALL MOUNT  
4 anchors  
TYPICAL (5 PER CLIP)  
1/4-14X1 GRADE 5  
SELF-DRILLING SCREWS



W6  
WALL MOUNT  
6 anchors  
TYPICAL (5 PER CLIP)  
1/4-14X1 GRADE 5  
SELF-DRILLING SCREWS

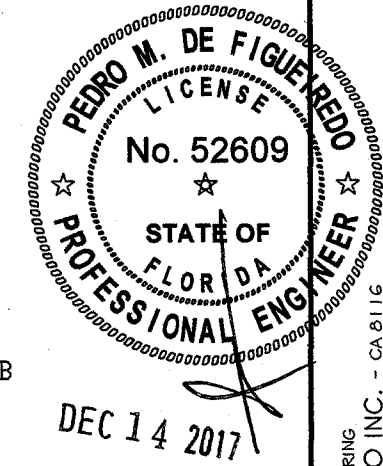


W9  
WALL MOUNT  
9 anchors  
TYPICAL (5 PER CLIP)  
1/4-14X1 GRADE 5  
SELF-DRILLING SCREWS

WALL MOUNT ANCHOR SELECTION

ANCHOR TYPE	MULLION TYPE		
	4X4	4X6	4X8
A	W4	W9	W9
B	W4	W6	W9
E	W4	W4	W4

ANCHOR SCHEDULE:				
ANCHOR	DESCRIPTION	MATERIAL	EMBEDMENT	EDGE DISTANCE
A	5/16" X3" TAPCONS	MIN. 2899 psi CONCRETE	2 1/4"	3 1/8"
B	5/16" X3" TAPCONS	GROUT FILLED C-90 BLOCK	2 1/4"	4"
E	3/8" X4" WEDGE BOLTS	MIN. 3000 psi CONCRETE	3 1/2"	4 1/2"



ENGINEERING  
ENGCO INC. - CA 8116  
1791 BLOUNT ROAD  
POMPANO BEACH - FL - 33069  
ENGCO@AOL.COM  
ENGINEER SEAL  
PEDRO DE FIGUEIREDO  
PE 52609

PRODUCT:  
E555 SUP  
ROLLING DOOR  
LARGE & SMALL MISSILE  
IMPACT RATED

MANUFACTURER:  
CROCI  
NORTH AMERICA  
11600 ADELMO LANE FORT MYERS, FL 33966  
TEL.: (239) 278-3066 - FAX: (239) 278-5977  
EMAIL: INFO@CROCIUSA.COM

PK

DRAFTING#MORE INC

SCALE:  
NA

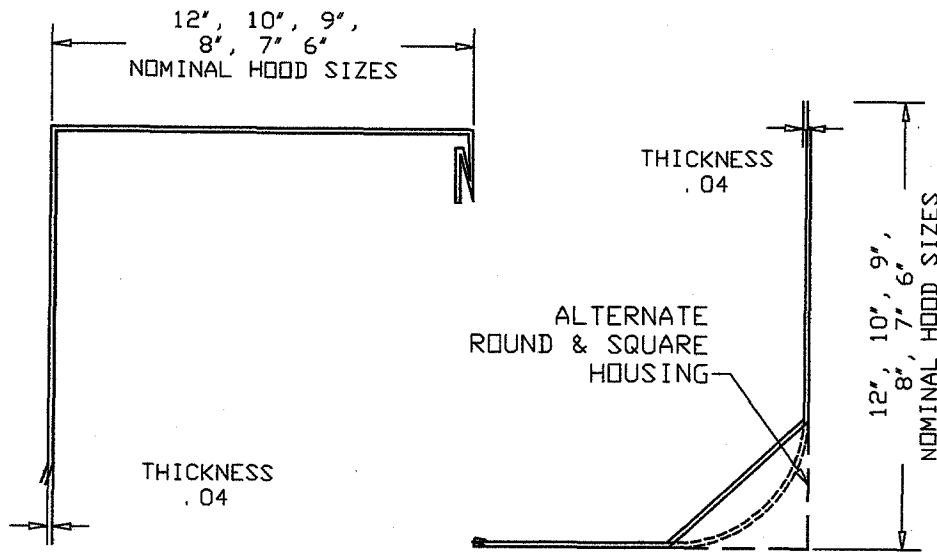
DATE:  
12/14/17

DRAWING #  
17-877

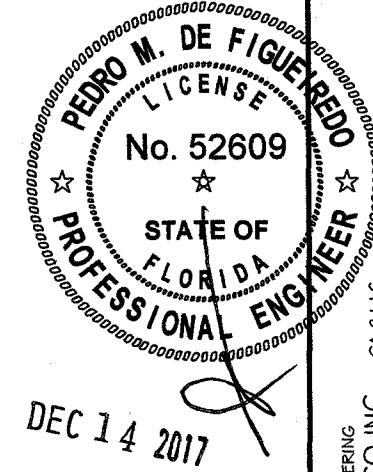
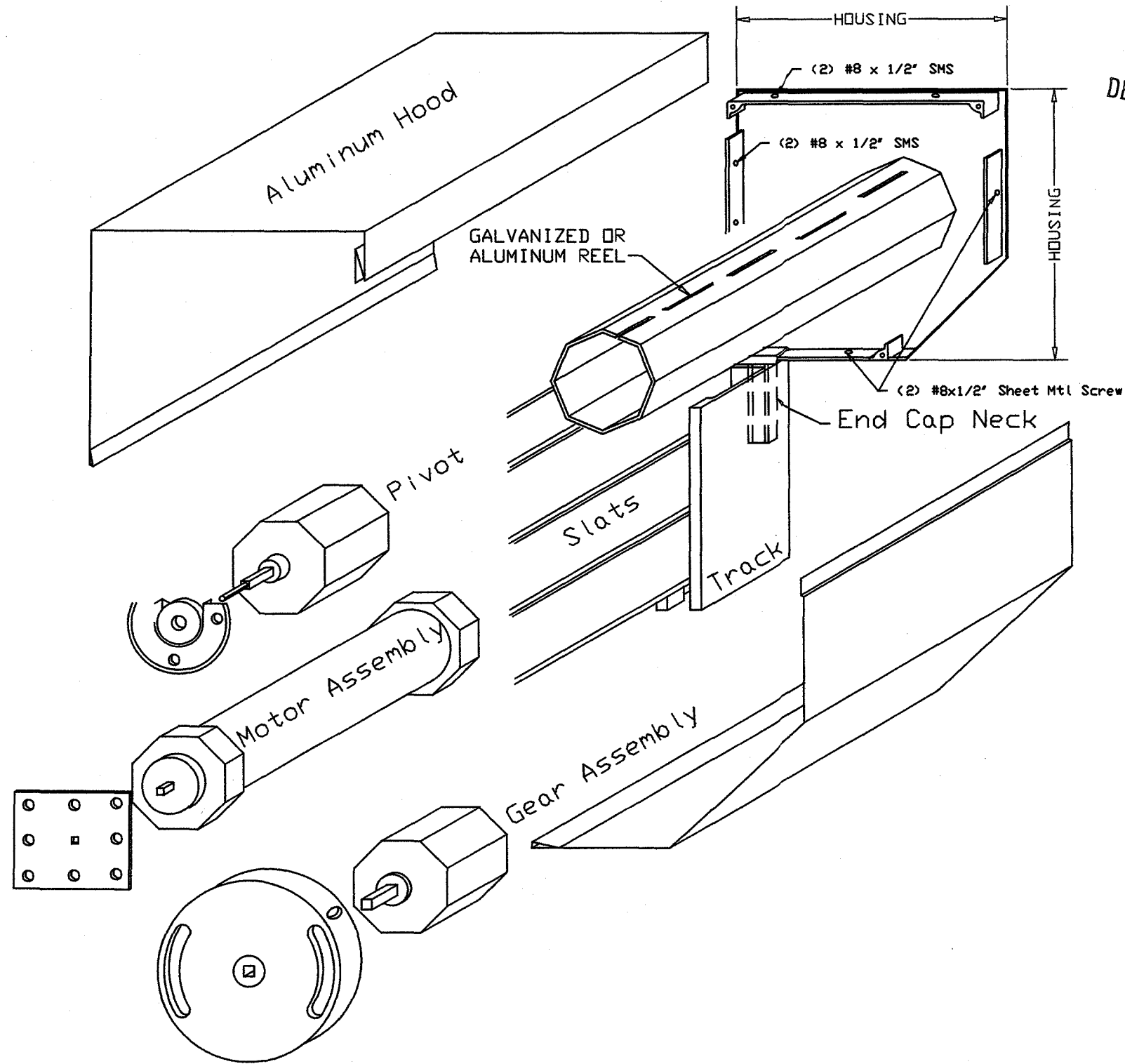
SHEET  
8 of 9



# HOOD ASSEMBLY



NOTE: THE ROLL-UP MECHANISM (GEARS, MOTORS, SUPPORTING END PLATES) ARE NOT PART OF THIS APPROVAL. MANUFACTURER IS RESPONSIBLE TO SPECIFY THESE COMPONENTS FOR PROPER DOOR OPERATION.



ENGINEERING  
ENGCO INC. - CA 8116  
1791 BLOUNT ROAD  
POMPANO BEACH - FL - 33069  
ENGCO@AOL.COM  
ENGINEER SEAL  
PEDRO DE FIGUEREDO  
PE 52609

PRODUCT:  
E555 SUP  
ROLLING DOOR  
LARGE & SMALL MISSILE  
IMPACT RATED

MANUFACTURER:  
CROCI  
NORTH AMERICA  
11600 ADELMO LANE FORT MYERS, FL 33966  
TEL: (239) 278-3066 - FAX: (239) 278-5977  
EMAIL: INFO@CROCIUSA.COM

PK  
DRAFTING#MORE INC

SCALE:  
NA

DATE:  
12/14/17

DRAWING #  
17-877

SHEET  
9 of 9