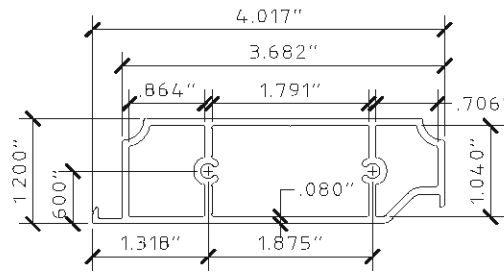


COLONIAL SHUTTER (HVHZ & NON-HVHZ)

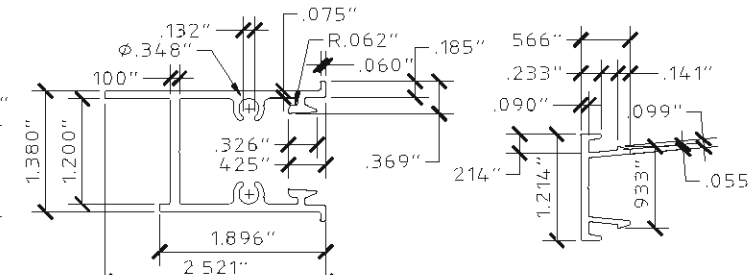
PATENT #8126298

GENERAL NOTES:

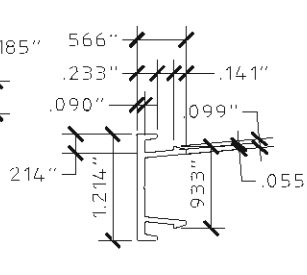
1. THESE INSTALLATION INSTRUCTIONS ARE PART OF A PRODUCT APPROVAL EVALUATION AND SHALL ONLY BE USED IN CONJUNCTION WITH THE EVALUATION REPORT SUBMITTED FOR THE SAME PRODUCT APPROVAL. THIS SYSTEM HAS BEEN TESTED AND EVALUATED AS A LEVEL D LARGE MISSILE IMPACT PROTECTIVE SYSTEM IN ACCORDANCE WITH THE FLORIDA BUILDING CODE SEVENTH EDITION (2020), FOR USE INSIDE THE HIGH VELOCITY HURRICANE ZONE, AND THE INTERNATIONAL BUILDING CODE (IBC) AND INTERNATIONAL RESIDENTIAL CODE (IRC). SEE EVALUATION FOR MORE INFORMATION.
2. POSITIVE AND NEGATIVE DESIGN PRESSURES CALCULATED FOR USE WITH THIS SYSTEM SHALL BE DETERMINED PER SEPARATE ENGINEERING IN ACCORDANCE WITH THE GOVERNING CODE. PRESSURE REQUIREMENTS SHALL BE LESS THAN OR EQUAL TO THE POSITIVE OR NEGATIVE DESIGN PRESSURE CAPACITY VALUES LISTED HEREIN FOR ANY ASSEMBLY AS SHOWN.
3. TESTING WAS CONDUCTED IN ACCORDANCE WITH TAS 201/202/203 AND ASTM E1886/E1996/E330. SEE EVALUATION REPORT FOR MORE INFORMATION.
4. DESIGN PRESSURES NOTED HEREIN ARE BASED ON MAXIMUM TESTED PRESSURES DIVIDED BY A 1.5 SAFETY FACTOR.
5. NO INCREASE IN ALLOWABLE STRESS HAS BEEN USED IN THE DESIGN OF THESE PRODUCTS. WIND LOAD DURATION FACTOR $C_d = 1.6$ WAS USED FOR WOOD ANCHOR DESIGN.
6. DETERMINE THE POSITIVE AND NEGATIVE DESIGN LOADS TO USE WHEN REFERENCING THESE DOCUMENTS IN ACCORDANCE WITH THE GOVERNING CODE AND GOVERNING WIND VELOCITY. FOR WIND LOAD CALCULATIONS IN ACCORDANCE WITH ASCE 7, A DIRECTIONALITY FACTOR OF $K_d = 0.85$ SHALL BE USED.
7. THE SYSTEM DETAILED HEREIN IS GENERIC AND DOES NOT PROVIDE INFORMATION FOR A SPECIFIC SITE.
8. PERMIT HOLDER SHALL VERIFY THE ADEQUACY OF THE EXISTING STRUCTURE TO WITHSTAND SUPERIMPOSED LOADS.
9. ANCHORS SHALL BE INSTALLED PER MANUFACTURER RECOMMENDATIONS. MINIMUM EMBEDMENT AND EDGE DISTANCE EXCLUDES STUCCO, FOAM, BRICK, AND OTHER WALL FINISHES.
10. USE OF THESE APPROVAL DOCUMENTS SHALL COMPLY WITH CHAPTER 61G15-23 OF THE FLORIDA ADMINISTRATIVE CODE.
11. THESE APPROVAL DOCUMENTS ARE SUITABLE TO BE APPLIED BY THE CONTRACTOR PROVIDED THE CONTRACTOR DOES NOT DEVIATE FROM THE CONDITIONS DETAILED HEREIN AND THE CONTRACTOR VERIFIES THAT THE EXISTING STRUCTURE DOES NOT DEVIATE IN EITHER FORM OR MATERIAL FROM THE STRUCTURAL SUBSTRATES DETAILED HEREIN.
12. ANY MODIFICATIONS OR ADDITIONS TO THESE APPROVAL DOCUMENTS WILL VOID THE APPROVAL DOCUMENTS.
13. EACH SHUTTER ASSEMBLY SHALL BE PERMANENTLY LABELED WITH THE FOLLOWING MINIMUM INFORMATION:
 CROCI NORTH AMERICA
 FT. MYERS, FL
 9 LB MISSILE LEVEL D - ASTM E1886, E1996 & E330
 TAS 201, 202 & 203
 FLORIDA PRODUCT APPROVAL NUMBER
14. ALL EXTRUSIONS SHOWN SHALL BE 6063-T6 ALUMINUM ALLOY, U.O.N., WITH A MINIMUM F_y OF 25 K.S.I.
15. ALL BOLTS AND WASHERS (EXCLUDING INSTALLATION) SHALL BE STAINLESS STEEL WITH A MINIMUM TENSILE STRENGTH OF 60 K.S.I., U.O.N. POP RIVETS SHALL BE 1/4"Ø OR 3/16"Ø 5052 ALUM. ALLOY.
16. MAXIMUM ALLOWABLE DESIGN PRESSURE IN CLOSED POSITION PROVIDING WIND LOAD & IMPACT RESISTANCE = **+69.3/-79.5 PSF** FOR ALL NON-SLIDING PANEL WITH TRACK CONFIGURATIONS. MAXIMUM ALLOWABLE DESIGN PRESSURE IN CLOSED POSITION FOR ALL SLIDING PANEL TRACK CONFIGURATIONS = **+57.2/-66.2 PSF**.
17. MAXIMUM ALLOWABLE DESIGN PRESSURE IN OPEN POSITION = **+/- 28 PSF**
18. SHUTTER ASSEMBLY MUST BE CLOSED AND SECURED AND SHALL NOT BE LEFT IN THE OPEN POSITION IN THE EVENT OF A WIND STORM EVENT.
19. ALL STEEL IN CONTACT WITH ALUMINUM SHALL BE PAINTED OR PLATED.



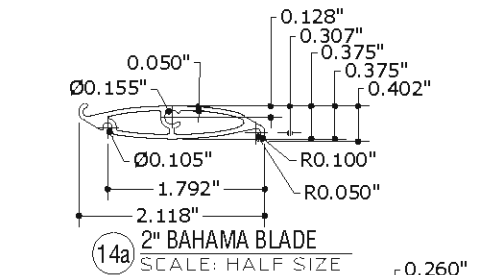
1 MUNTIN
SCALE: HALF SIZE



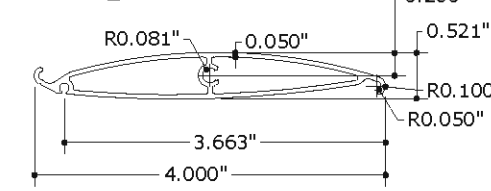
2 JAMB
SCALE: HALF SIZE



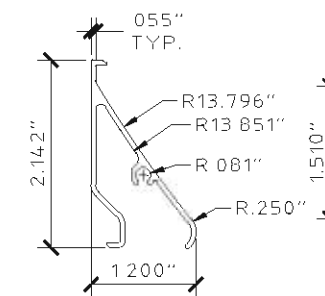
3 JAMB SNAP
SCALE: HALF SIZE



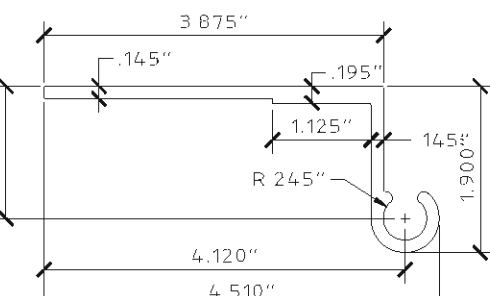
14a 2\"/>



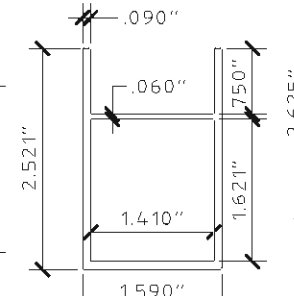
14b 4\"/>



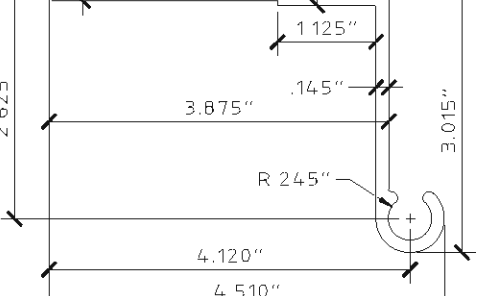
5 COLONIAL BLADE
SCALE: HALF SIZE



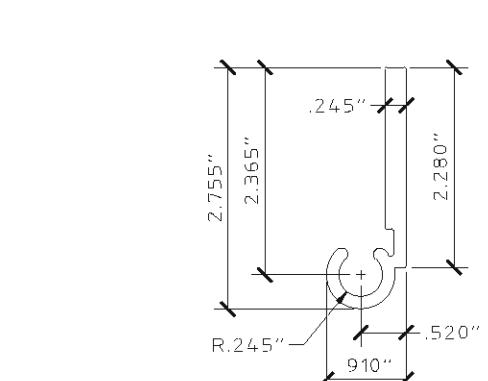
6 WALL HINGE
SCALE: HALF SIZE



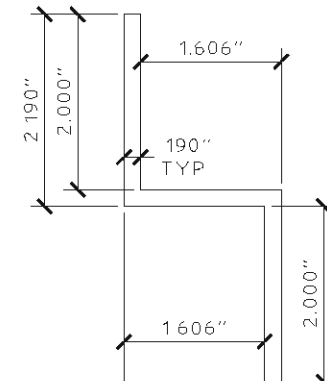
7 HEADER / SILL
SCALE: HALF SIZE



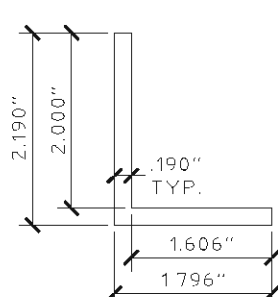
8 BUILD-OUT WALL HINGE
SCALE: HALF SIZE



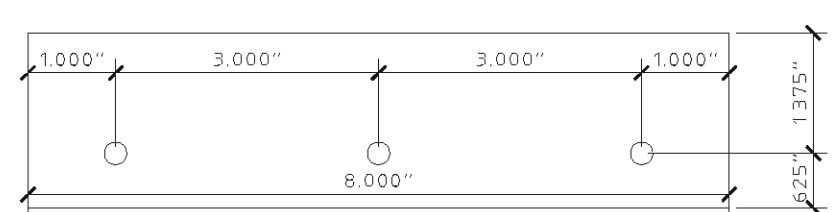
9 FLAT HINGE
SCALE: HALF SIZE



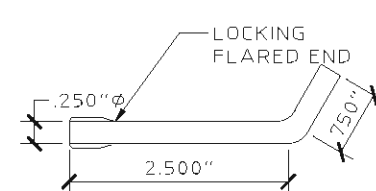
10 \"/>



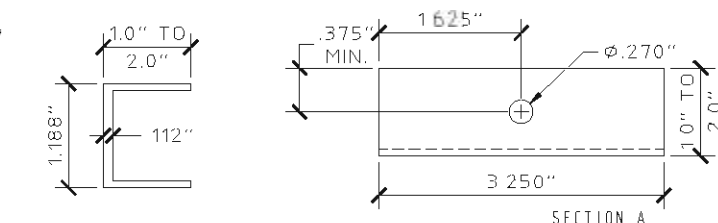
11 ANGLE
SCALE: HALF SIZE



12 L-PIN - 1/4\"/>



13 C\"/>



VISIT ECALC.IO/29009

FOR SITE SPECIFIC DEVIATIONS & MORE INFORMATION ABOUT THIS DOCUMENT OR SCAN THIS QR CODE

VISIT ENGINEERINGEXPRESS.COM/STORE FOR ADDITIONAL PLANS, REPORTS & RESOURCES

FRANK BENNARDO, PE
PE# 0046549 CA#9885

ENGINEERING EXPRESS

CORPORATE OFFICE:
160 SW 12th AVE, SUITE 106
DEERFIELD BEACH, FL 33442
(954) 354-0660 | (866) 396-9999
TEAM@ENGINEERINGEXPRESS.COM
ENGINEERINGEXPRESS.COM

AMERICAN SHUTTER PRODUCTS, INC.

Croci NORTH AMERICA

DBA NORTH AMERICA

11600 ADELMO LANE • FT. MYERS, FL 33966
TEL: (239) 278-3066 • FAX: (239) 278-5977 • FL21861.1

DRWN	CHKD	DATE
KL	FLB	12/20/12
RWN	TSB	4/18/15
RWN	FLB	9/28/16
RWN	FLB	8/07/17
CCB	RWN	7/01/20

REMARKS

INIT ISSUE

2014 FBC

REV - ADD 4\"/>

COPYRIGHT FRANK L. BENNARDO P.E.

20-29009

SCALE: -

PAGE DESCRIPTION: -

1 OF 7



ENGINEERING EXPRESS
CORPORATE OFFICE:
160 SW 12th AVE, SUITE 106
DEERFIELD BEACH, FL 33442
(954) 354-0660 | (866) 396-9999
TEAM@ENGINEERINGEXPRESS.COM
ENGINEERINGEXPRESS.COM

AMERICAN SHUTTER PRODUCTS, INC.
DBA **crowi** NORTH AMERICA
NORTH AMERICA
11600 ADELMO LANE • FT. MYERS, FL 33966
TEL: (239) 278-3066 • FAX: (239) 278-5977 • FL21861.1

REMARKS	DRWN	CHKD	DATE
INIT ISSUE	KL	FLB	12/20/12
2014 FBC	RWN	TSB	4/18/15
REV - ADD 4" BLADE	RWN	FLB	9/28/16
2017 FBC	RWN	FLB	8/07/17
2020 FBC	CCB	RWN	7/01/20

THIS DOCUMENT IS THE PROPERTY OF FRANK L. BENNARDO, P.E. AND SHALL NOT BE REPRODUCED, COPIED, OR TRANSMITTED IN ANY FORM OR BY ANY MEANS, WITHOUT THE WRITTEN PERMISSION OF FRANK L. BENNARDO, P.E. ANY ALTERATIONS, ADDITIONS, DELETIONS, OR OTHER MARKINGS TO THIS DOCUMENT ARE NOT PERMITTED AND INVALIDATE OUR CERTIFICATION.

COPYRIGHT FRANK L. BENNARDO P.E.

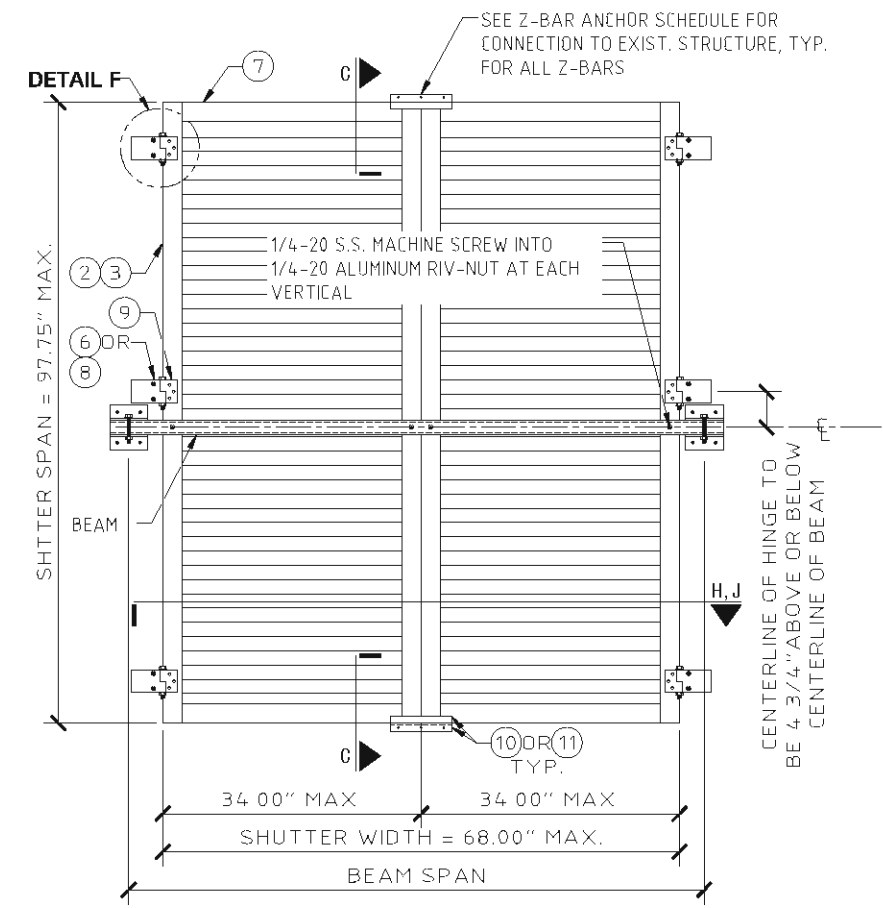
20-29009

SCALE: -

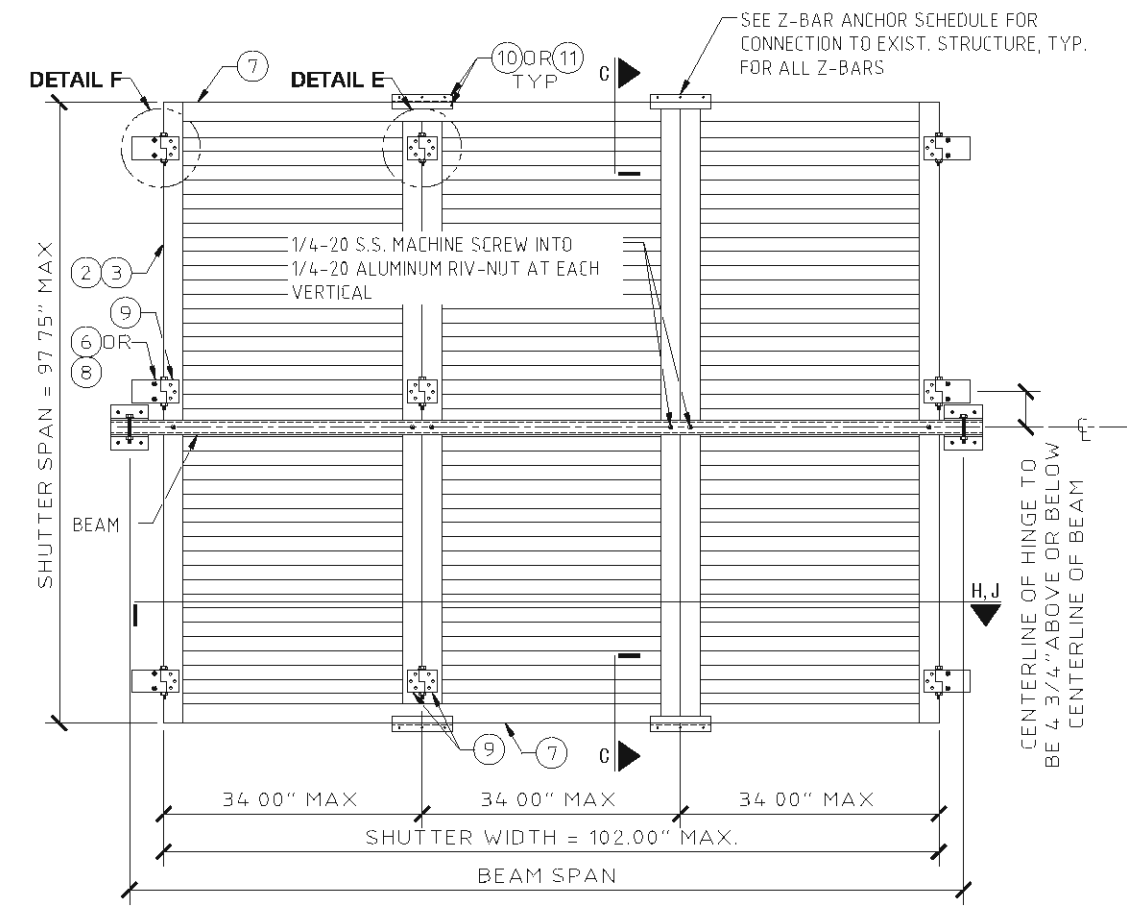
PAGE DESCRIPTION:

OF 7

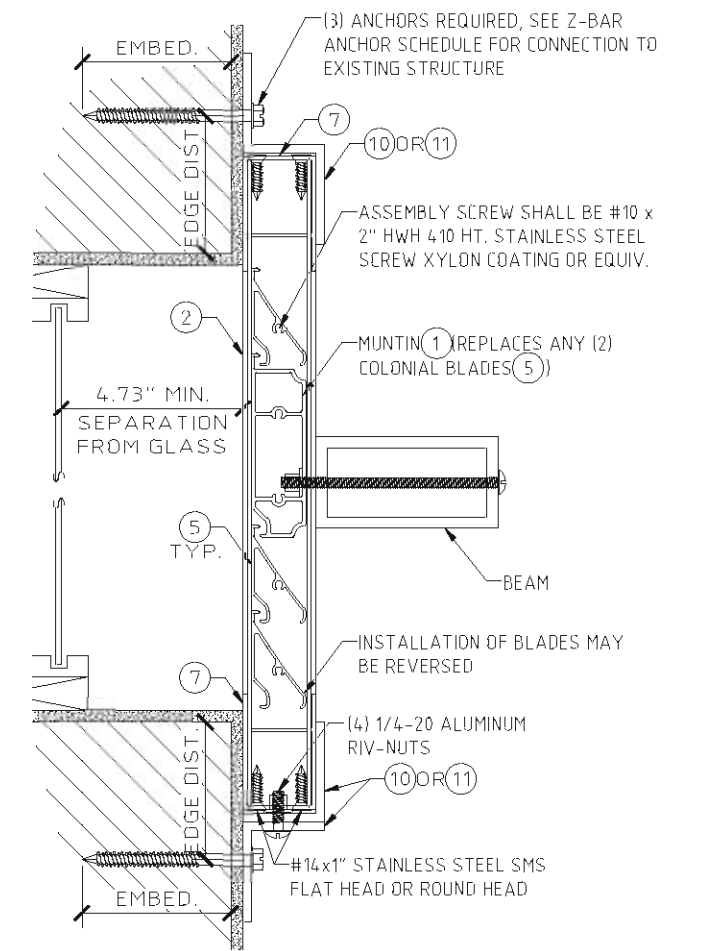
COLONIAL SHUTTER



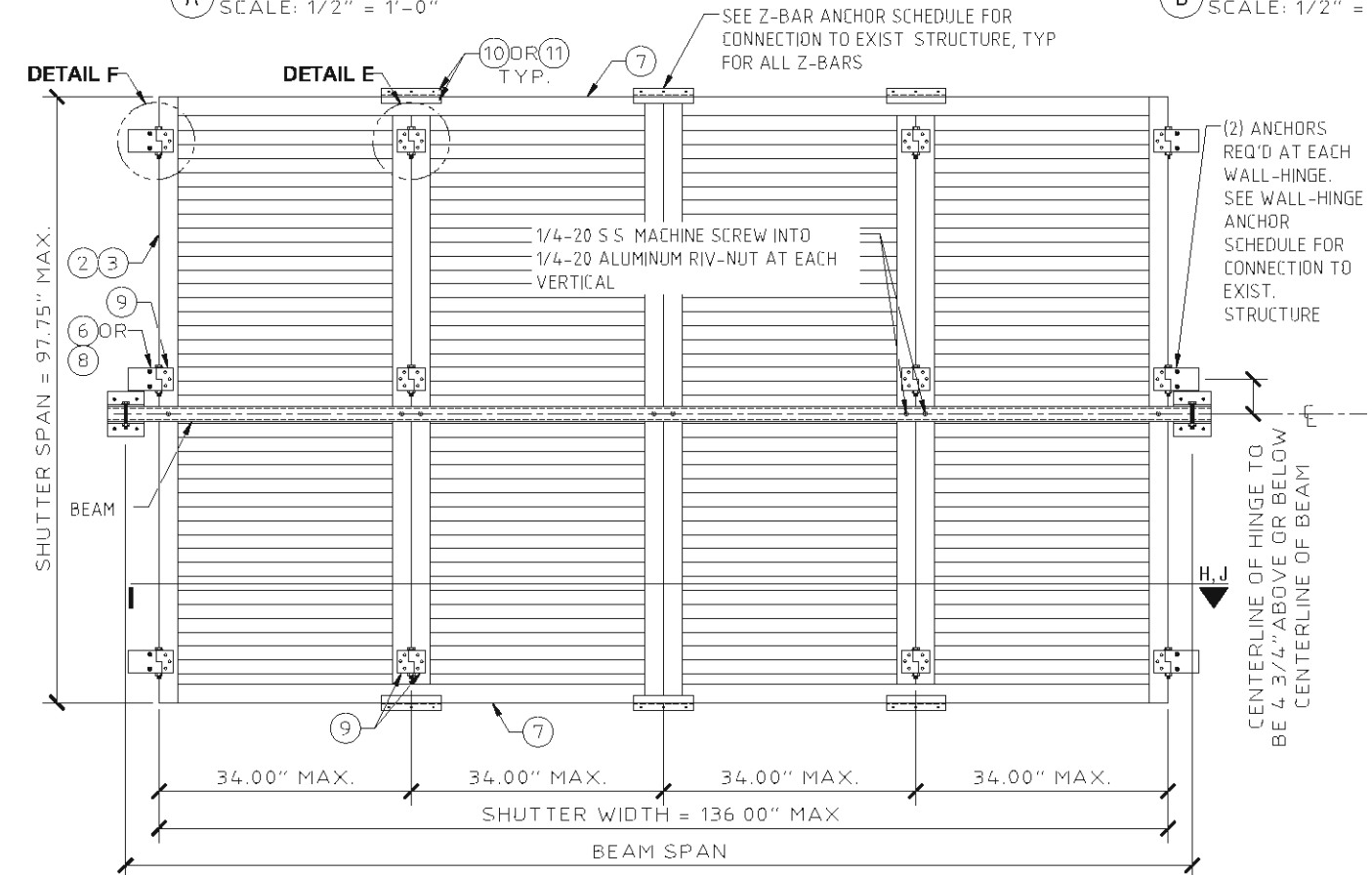
A TYPICAL ELEVATION 2 PANEL
SCALE: 1/2" = 1'-0"



B TYPICAL ELEVATION 3 PANEL
SCALE: 1/2" = 1'-0"



C TYPICAL PANEL SECTION
SCALE: 3" = 1'-0"



D TYPICAL ELEVATION 4 PANELS MAX.
SCALE: 1/2" = 1'-0"

BEAM SCHEDULE

BEAM SIZE	ALUMINUM ALLOY	SHUTTER SPAN	BEAM SPAN (+/- 79.5 PSF MAX)	WALL BRACKET ANCHOR TYPES (+69.3/-79.5 PSF MAX)		
				CONCRETE	HOLLOW BLOCK	WOOD (G=0.42 MIN)
2"x3"x1/8"	6063-T6	8'-1.75"	5' 6"	A,B,C,D,E	A,C,E	B,C
		6'-8"	6' 1"	A,B,C,D,E	A,B,C,E	B,C
		5'-10"	6' 6"	A,B,C,D,E	A,B,C,E	B,C
2"x4"x1/8"	6063-T6	8'-1.75"	6' 9"	A,B,C,D,E	A,C	B,C
		6'-8"	7' 5"	A,B,C,D,E	A,C	B,C
		5'-10"	8' 0"	A,B,C,D,E	A,C	B,C
2"x5"x1/8"	6063-T6	8'-1.75"	8' 0"	A,B,C,D,E	A,C	
		6'-8"	8' 10"	A,B,C,D,E	A,C	B,C
		5'-10"	9' 5"	A,B,C,D,E	A,C	B,C
2"x4"x1/4"	6061-T6	8'-1.75"	10' 5"	A,B,C,D,E		
		6'-8"	11' 6"	A,B,C,D,E	A,C	
		5'-10"	12' 4"	A,B,C,D,E	A,C	

- TYPE A:** 1/4-20 ALL POINT SOLID SET ANCHORS:
 - IN CONCRETE (3.35KSI MIN) WITH 7/8" MIN EMBED., 3" MIN EDGE DIST. AND 3" MIN SPACING
 - IN HOLLOW CONCRETE BLOCK WITH 7/8" MIN EMBED., 3" MIN EDGE DIST. AND 3" MIN SPACING
- TYPE B:** 1/4" EYEWALL ARMOR MALE/FEMALE BOLT OR 1/4-20 DEWALT PANELMATES (MALE/FEMALE):
 - IN CONCRETE (3.35KSI MIN) WITH 1 3/4" MIN EMBED., 2 1/2" MIN EDGE DIST. AND 3" MIN SPACING
 - IN HOLLOW CONCRETE BLOCK WITH 1 1/2" MIN EMBED., 2" MIN EDGE DIST. AND 3" MIN SPACING
 - IN WOOD (G=0.42 MIN) WITH 1 1/2" MIN EMBED., 3/4" MIN EDGE DIST. AND 1 1/2" MIN SPACING
- TYPE C:** 1/4" ITW TAPCON SG:
 - IN CONCRETE (3.35KSI MIN) WITH 1 3/4" MIN EMBED., 2 1/2" MIN EDGE DIST. AND 3" MIN SPACING
 - IN HOLLOW CONCRETE BLOCK WITH 1 1/4" MIN EMBED., 2" MIN EDGE DIST. AND 3" MIN SPACING
 - IN WOOD (G=0.42 MIN) WITH 1 1/8" MIN EMBED., 3/4" MIN EDGE DIST. AND 1 1/2" MIN SPACING
- TYPE D:** 1/4" MILLENIUM MILLFAST (W/ T&C ULTRACOTE):
 - IN CONCRETE (3.275KSI MIN) WITH 1 3/4" EMBED., 2 1/2" EDGE DIST., AND 4" MIN SPACING
 - IN HOLLOW CONCRETE BLOCK WITH 1 1/4" EMBED., 2 1/2" MIN EDGE DIST. AND 4" MIN SPACING
- TYPE E:** #12 SMS W/ 2" EYEWALL ARMOR NYLON INSERT:
 - IN CONCRETE (2KSI MIN) WITH 2" EMBED, 2" EDGE DIST. AND 3" MIN SPACING
 - IN HOLLOW CONCRETE BLOCK WITH 1 1/4" EMBED, 2" EDGE DIST. AND 3" MIN SPACING



ENGINEERING EXPRESS
CORPORATE OFFICE:
160 SW 12th AVE, SUITE 106
DEERFIELD BEACH, FL 33442
(954) 354-0660 | (866) 396-9999
TEAM@ENGINEERINGEXPRESS.COM
ENGINEERINGEXPRESS.COM

AMERICAN SHUTTER PRODUCTS, INC.
DBA **crowi** NORTH AMERICA
11600 ADELMO LANE • FT. MYERS, FL 33966
TEL: (239) 278-3066 • FAX: (239) 278-5977 • FL21861.1

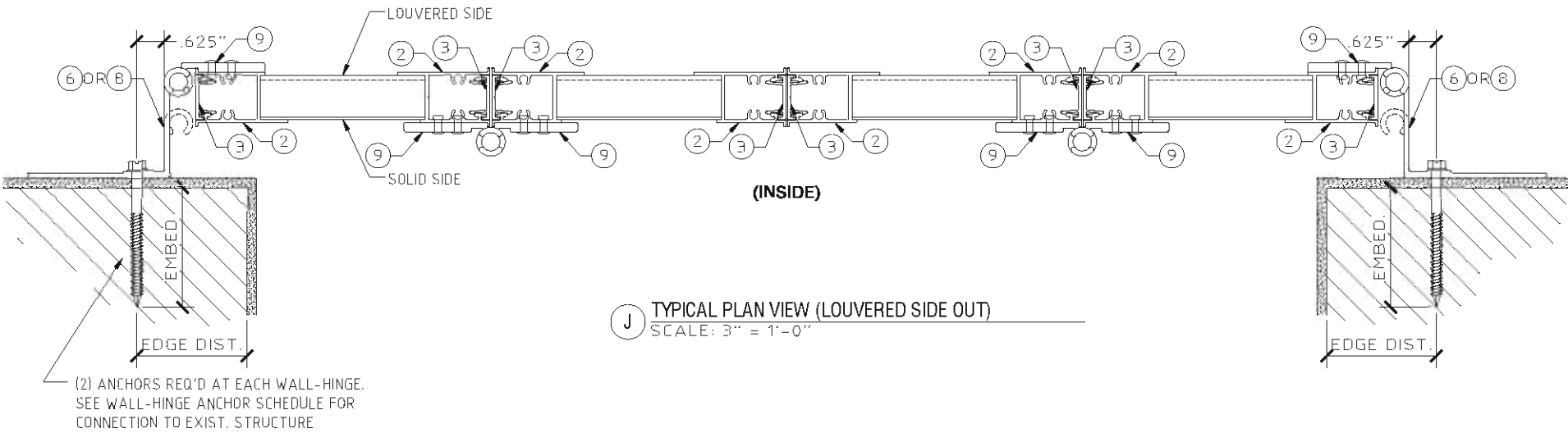
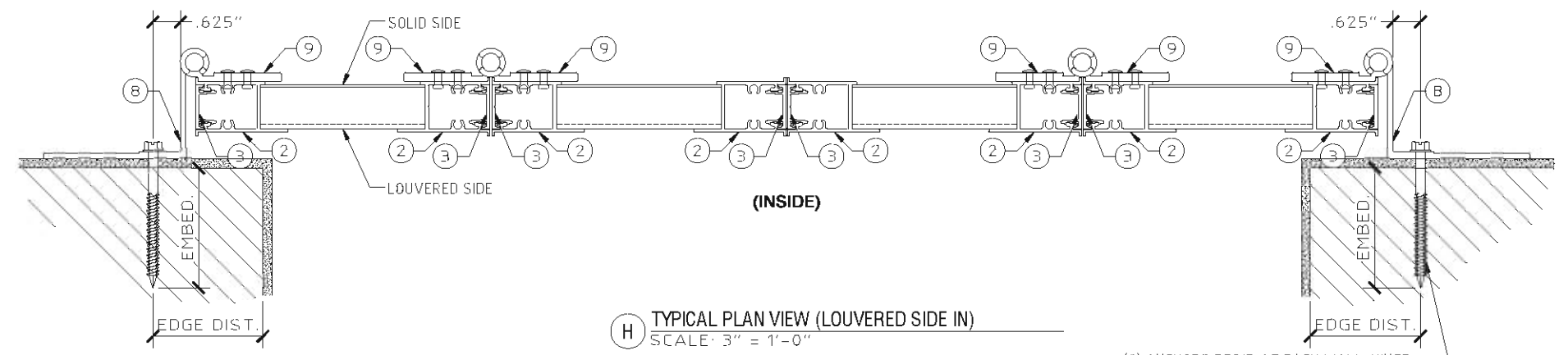
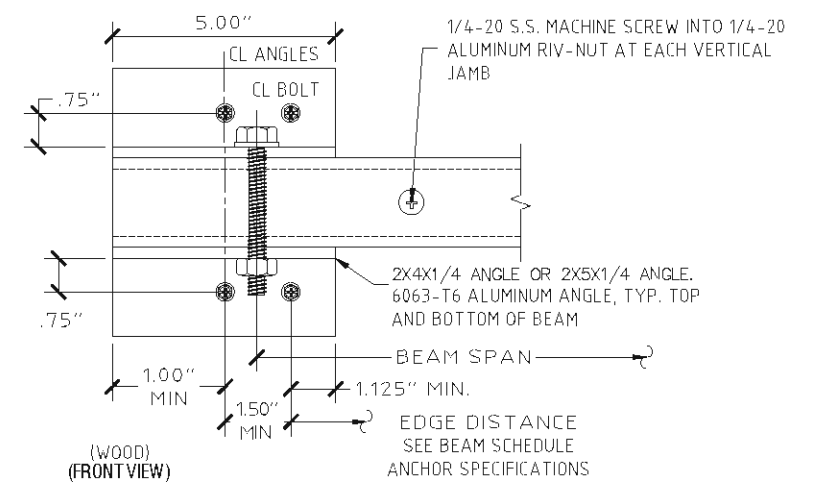
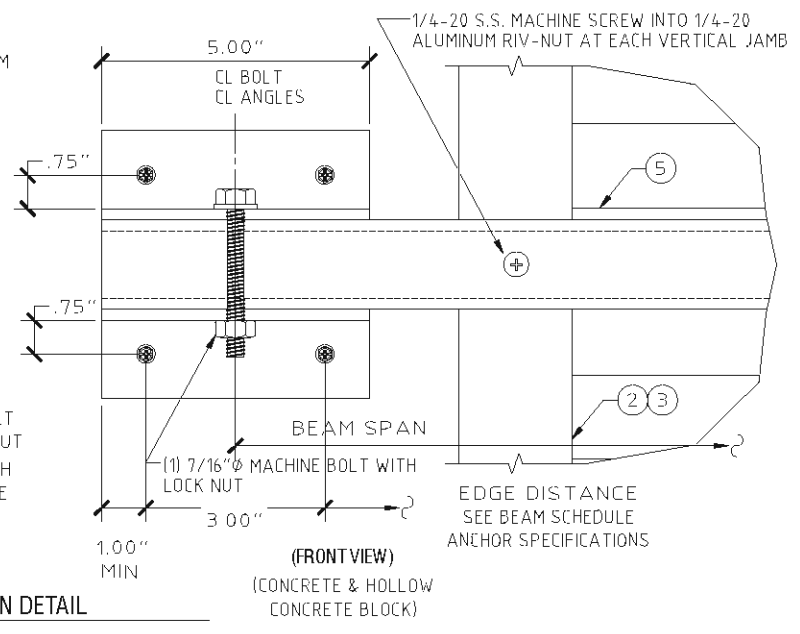
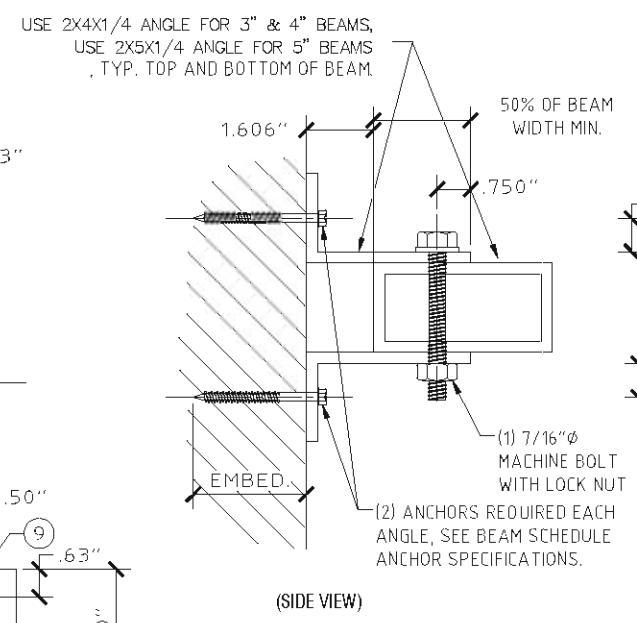
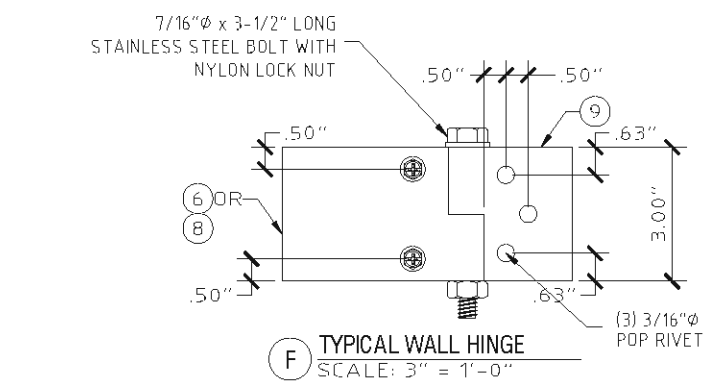
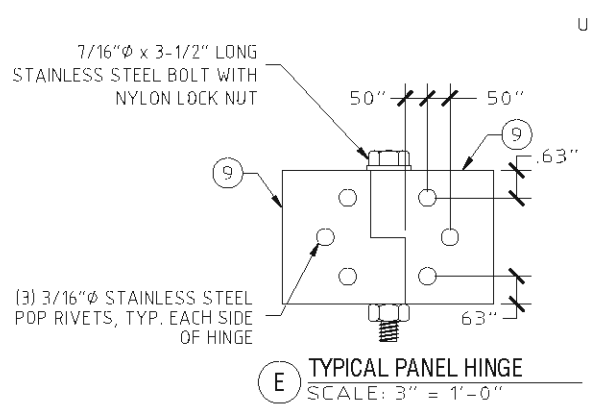
REMARKS	DRWN	CHKD	DATE
INIT ISSUE	KL	FLB	12/20/12
2014 FBC	RWN	TSB	4/18/15
REV - ADD 4" BLADE	RWN	FLB	9/28/16
2017 FBC	RWN	FLB	8/07/17
2020 FBC	CCB	RWN	7/07/20

THIS DOCUMENT IS THE PROPERTY OF FRANK L. BENNARDO, P.E. AND SHALL NOT BE REPRODUCED, COPIED, OR TRANSMITTED IN ANY FORM OR BY ANY MEANS, WITHOUT THE WRITTEN PERMISSION OF FRANK L. BENNARDO, P.E. ANY ALTERATIONS, ADDITIONS, DELETIONS, OR OTHER MODIFICATIONS TO THIS DOCUMENT ARE NOT PERMITTED AND INVALIDATE OUR CERTIFICATION.

COPYRIGHT FRANK L. BENNARDO P.E.

20-29009

SCALE: -
PAGE DESCRIPTION: -



Z-BAR ANCHOR SCHEDULE					
MANUF.	DIAMETER	DESCRIPTION	MIN. EDGE DISTANCE	MIN. EMBED.	MIN. SPACING
CONCRETE (MIN. f_c = 3350 PSI)					
DEWALT	1/4 IN.	STAINLESS STEEL PANELMATE	2.50 IN	2.00 IN	3.00 IN
DEWALT	1/4 IN.	MALE PANELMATE (or P..PRO)	2.50 IN	2.00 IN	3.00 IN
DEWALT	1/4 IN.	FEMALE PANELMATE	2.50 IN	1.75 IN	3.00 IN
EYEWALL ARMOR	1/4 IN.	MALE/FEMALE BOLT	2.50 IN	1.75 IN	3.00 IN
ITW	1/4 IN.	TAPCON SG	2.50 IN	1.75 IN	3.00 IN
ALL-POINTS	1/4 IN.	SOLID-SET ANCHOR	2.00 IN	0.875 IN	3.00 IN
MILLENIUM	1/4 IN.	MILLFAST	2.50 IN	1.75 IN	3.00 IN
HOLLOW CONCRETE BLOCK					
DEWALT	1/4 IN.	STAINLESS STEEL PANELMATE	2.00 IN	1.25 IN	3.00 IN
DEWALT	1/4 IN.	MALE PANELMATE (or P..PRO)	2.00 IN	1.25 IN	3.00 IN
DEWALT	1/4 IN.	FEMALE PANELMATE	2.00 IN	1.25 IN	3.00 IN
EYEWALL ARMOR	1/4 IN.	MALE/FEMALE BOLT	2.50 IN	1.25 IN	3.00 IN
ITW	1/4 IN.	TAPCON SG	2.50 IN	1.25 IN	3.00 IN
ALL-POINTS	1/4 IN.	SOLID-SET ANCHOR	2.50 IN	0.875 IN	3.00 IN
MILLENIUM	1/4 IN.	MILLFAST	2.50 IN	1.25 IN	3.00 IN
WOOD (SOUTHERN YELLOW PINE, G=0.54)					
DEWALT	1/4 IN.	STAINLESS STEEL PANELMATE	0.75 IN	1.875 IN	3.00 IN
DEWALT	1/4 IN.	MALE PANELMATE (or P..PRO)	0.75 IN	1.875 IN	3.00 IN
DEWALT	1/4 IN.	FEMALE PANELMATE	0.75 IN	1.875 IN	3.00 IN
EYEWALL ARMOR	1/4 IN.	MALE/FEMALE BOLT	0.75 IN	1.50 IN	3.00 IN
ITW	1/4 IN.	TAPCON SG	0.75 IN	1.50 IN	3.00 IN
	1/4 IN.	S.S. HANGER BOLT	0.75 IN	1.25 IN	1.50 IN
WOOD (SPRUCE-PINE-FIR (SPF), G=0.42)					
	1/4 IN.	S.S. HANGER BOLT	0.75 IN	1.25 IN	1.50 IN

WALL-HINGE ANCHOR SCHEDULE					
MANUF.	DIAMETER	DESCRIPTION	MIN. EDGE DISTANCE	MIN. EMBED.	MIN. SPACING
CONCRETE (MIN. f_c = 3192 PSI)					
ITW	1/4 IN.	SS TAPCON	2.50 IN	1.00 IN	2.00 IN
ITW	5/16 IN.	TAPCON XL	2.1875 IN	1.75 IN	2.00 IN
HOLLOW CONCRETE BLOCK					
DEWALT	1/4 IN.	ULTRACON	2.50 IN	1.25 IN	2.00 IN
ITW	5/16 IN.	TAPCON XL	2.1875 IN	1.75 IN	2.00 IN
WOOD (G=0.42 MIN)					
	#14	SMS OR WOOD SCREW	0.75 IN	1.50 IN	1.50 IN
	1/4 IN.	LAG SCREW	0.75 IN	1.25 IN	1.50 IN



ENGINEERING EXPRESS
CORPORATE OFFICE:
160 SW 12th AVE, SUITE 106
DEERFIELD BEACH, FL 33442
(954) 354-0660 | (866) 996-9999
TEAM@ENGINEERINGEXPRESS.COM
ENGINEERINGEXPRESS.COM

AMERICAN SHUTTER PRODUCTS, INC.
DBA crosi NORTH AMERICA
11600 ADELMO LANE • FT. MYERS, FL 33966
TEL: (239) 278-3066 • FAX: (239) 278-5977 • FL21861.1

DRWN	CHKD	DATE	REMARKS
KL	FLB	12/20/12	INIT ISSUE
RWN	TSB	4/18/15	2014 FCC
RWN	FLB	9/28/16	REV - ADD 4" BLADE
RWN	FLB	8/07/17	2017 FCC
CCB	RWN	7/01/20	2020 FCC

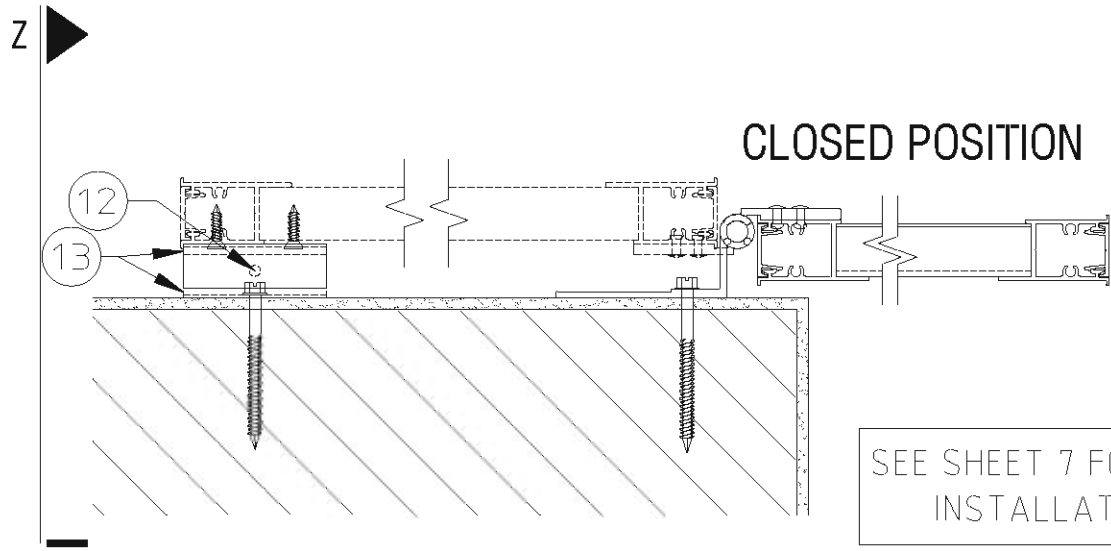
THIS DOCUMENT IS THE PROPERTY OF FRANK L. BENNARDO, P.E. AND SHALL NOT BE REPRODUCED, COPIED, OR TRANSMITTED IN ANY FORM OR BY ANY MEANS, WITHOUT THE WRITTEN PERMISSION OF FRANK L. BENNARDO, P.E. ANY ALTERATIONS, ADDITIONS, DELETIONS, OR OTHER MARKINGS TO THIS DOCUMENT ARE NOT PERMITTED AND INVALIDATE OUR CERTIFICATION.

COPYRIGHT FRANK L. BENNARDO P.E.

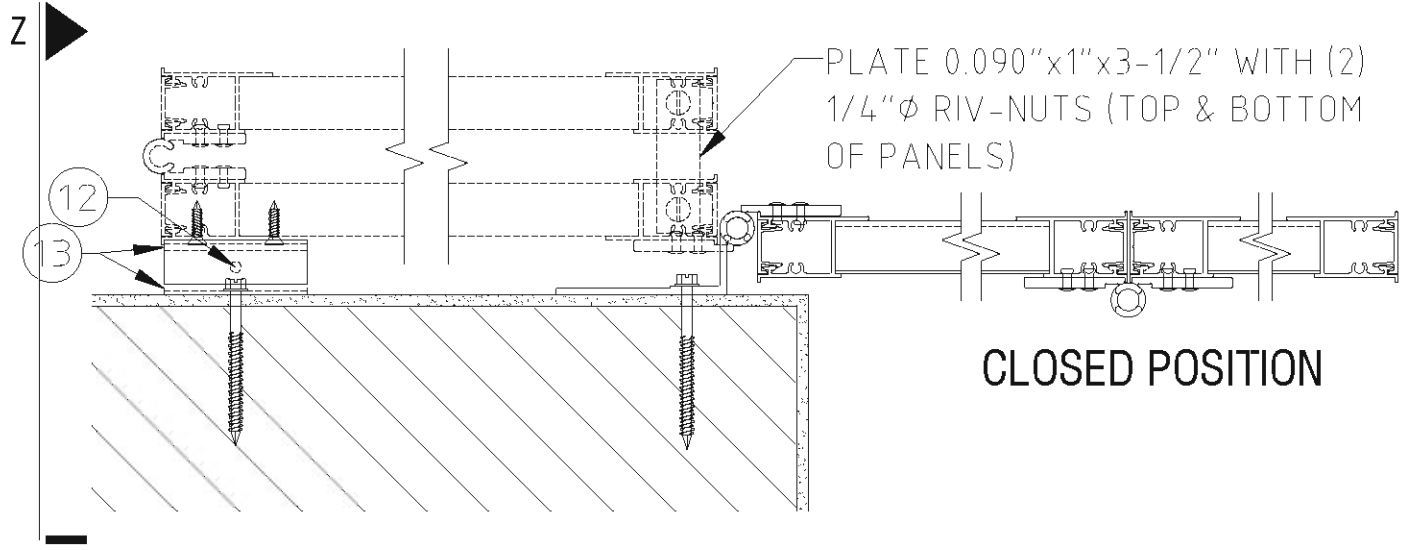
20-29009

SCALE: -
PAGE DESCRIPTION:

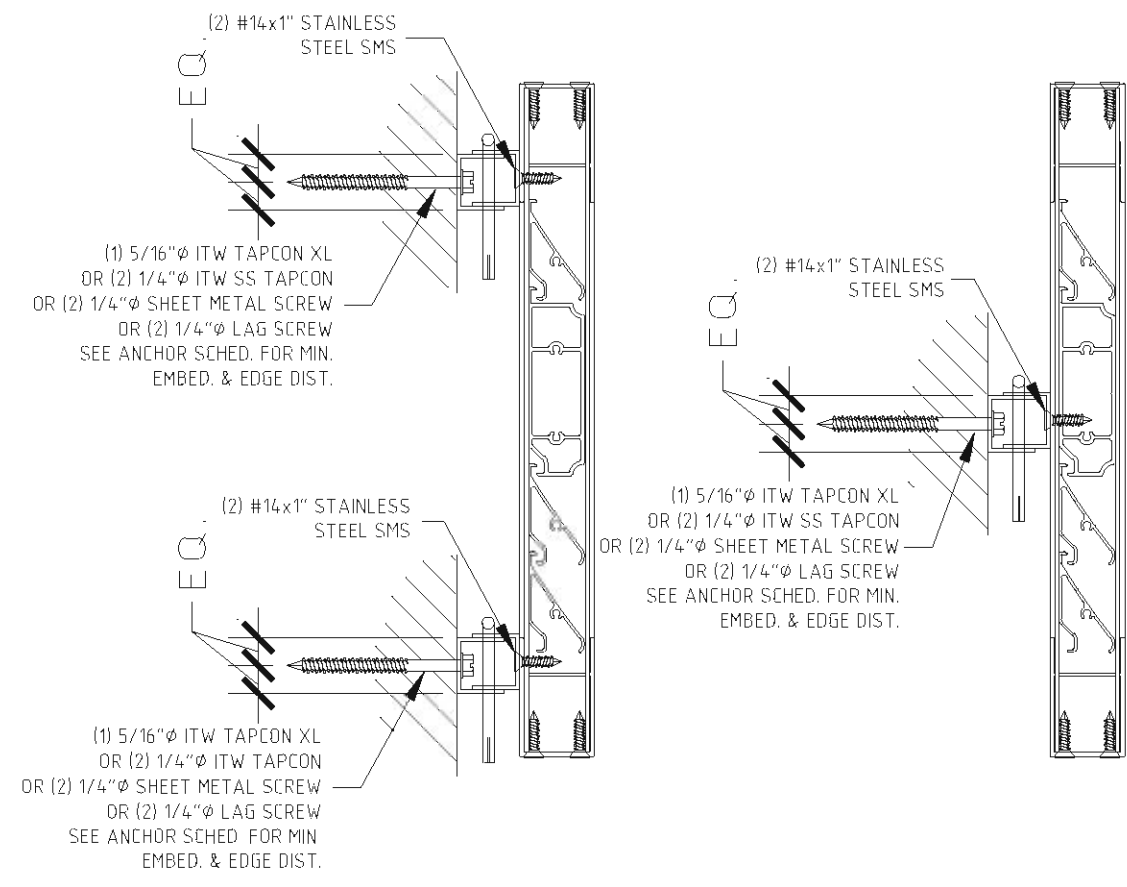
7



R PLAN VIEW 1
SCALE: 1-1/2" = 1'-0"



S PLAN VIEW 2
SCALE: 1-1/2" = 1'-0"



OPEN POSITION LOCK ANCHOR SCHEDULE:

- WITH "C" CLIPS OR DOUBLE "C" CLIPS:**
- TO 2899 PSI MIN. CONCRETE:**
 - (1) 5/16" ITW TAPCON XL W/ 1-3/4" MIN. EMBEDMENT AND 2" MIN. EDGE DISTANCE.
 - TO 3192 PSI MIN. CONCRETE:**
 - (2) 1/4" ITW SS TAPCON W/ 1-3/4" MIN. EMBEDMENT AND 1" MIN. EDGE DISTANCE.
 - TO HOLLOW CONCRETE BLOCK:**
 - (1) 5/16" ITW TAPCON XL W/ 1-3/4" MIN. EMBEDMENT AND 4" MIN. EDGE DISTANCE.
 - TO G=0.42 MIN. WOOD HOST STRUCTURE:**
 - (2) 1/4" WOOD SCREWS OR SHEET METAL SCREWS W/ 1-3/4" MIN. THREAD PENETRATION AND 3/4" MIN. EDGE DISTANCE.
 - (2) 1/4" LAG SCREWS W/ 1-1/2" MIN. THREAD PENETRATION AND 3/4" MIN. EDGE DISTANCE.

NOTE:
CLIPS REQ'D TOP & BOTTOM FOR SPANS > 69". ONE CLIP REQ'D AT MID-SPAN (±3") FOR SPANS ≤ 69".

T OPEN POSITION LOCK
SCALE: 3" = 1'-0"

C:\Users\rickn\Engineering\Projects\20-29009 - FL21861.1 - FullView Colonial Shutter Hybrid (HVHZ & Non-HVHZ)\WP12020 FCC\20-29009d - FL21861.1 - DWG.dwg

08/12/2020 - 9:15pm rickn



ENGINEERING EXPRESS
CORPORATE OFFICE:
160 SW 12th AVE, SUITE 106
DEERFIELD BEACH, FL 33442
(954) 354-0660 | (866) 396-9999
TEAM@ENGINEERINGEXPRESS.COM
ENGINEERINGEXPRESS.COM

AMERICAN SHUTTER PRODUCTS, INC.
DBA **croci** NORTH AMERICA
11600 ADELMO LANE • FT. MYERS, FL 33966
TEL: (239) 278-3066 • FAX: (239) 278-5977 • FL21861.1

REMARKS	DRWN	CHKD	DATE
INIT ISSUE	KL	FLB	12/20/12
2014 FBC	RWN	TSB	4/18/15
REV - ADD 4" BLADE	RWN	FLB	9/28/16
2017 FBC	RWN	FLB	8/07/17
2020 FBC	CCB	RWN	7/01/20

THIS DOCUMENT IS THE PROPERTY OF FRANK L. BENNARDO, P.E. AND SHALL NOT BE REPRODUCED, COPIED, OR TRANSMITTED IN ANY FORM OR BY ANY MEANS, WITHOUT THE WRITTEN PERMISSION OF FRANK L. BENNARDO, P.E. * ALTERATIONS, ADDITIONS, DELETIONS, OR OTHER MARKINGS TO THIS DOCUMENT ARE NOT PERMITTED AND INVALIDATE OUR CERTIFICATION.

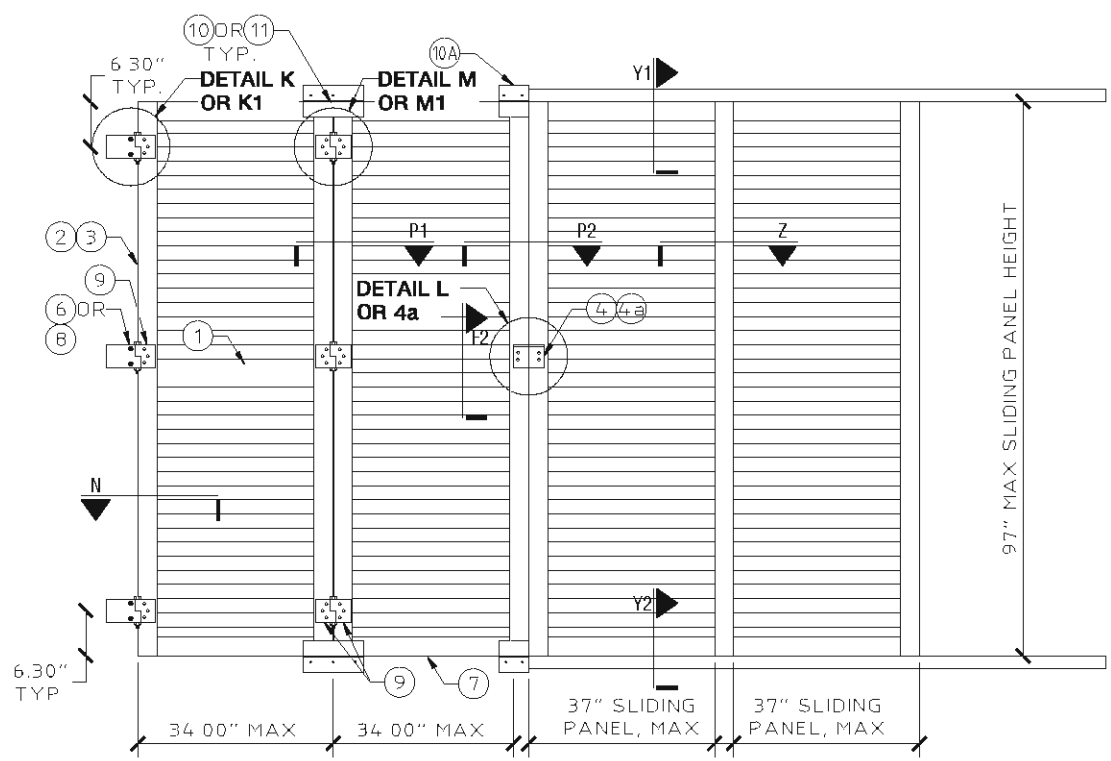
COPYRIGHT FRANK L. BENNARDO P.E.

20-29009

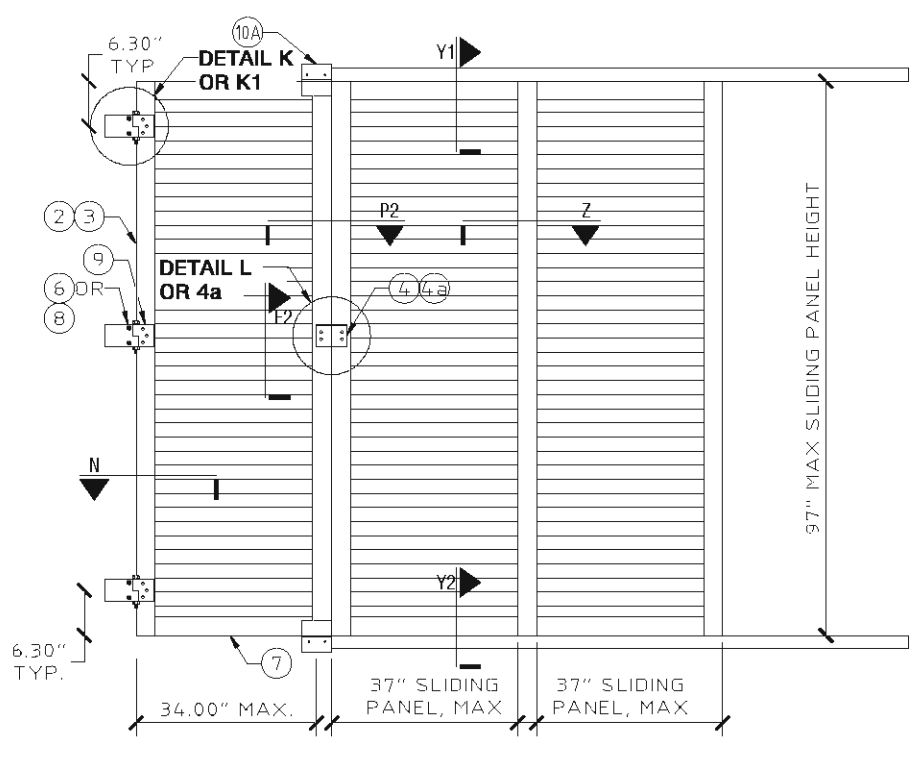
SCALE: -

PAGE DESCRIPTION: -

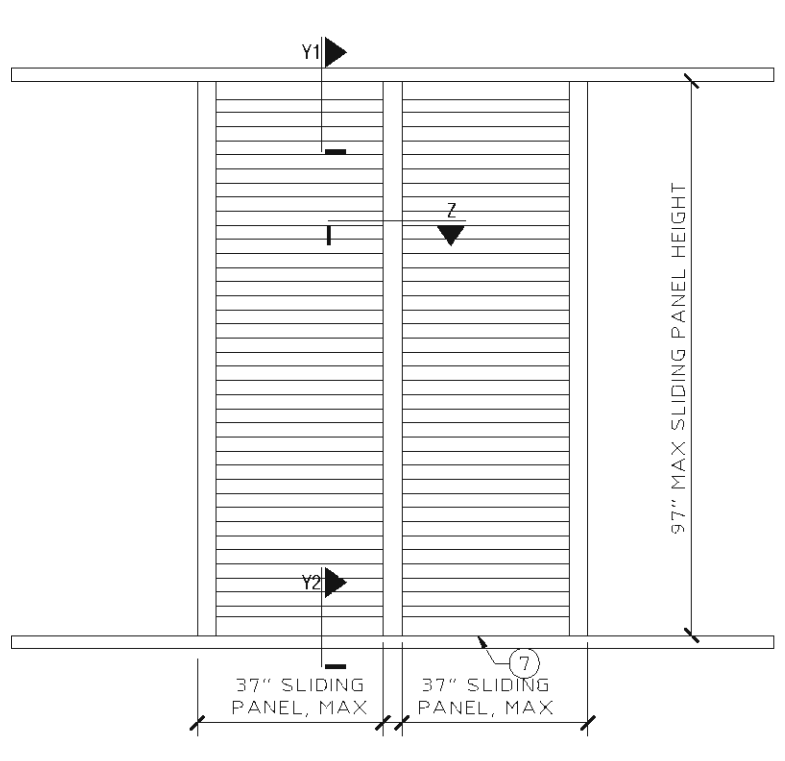
5 OF 7



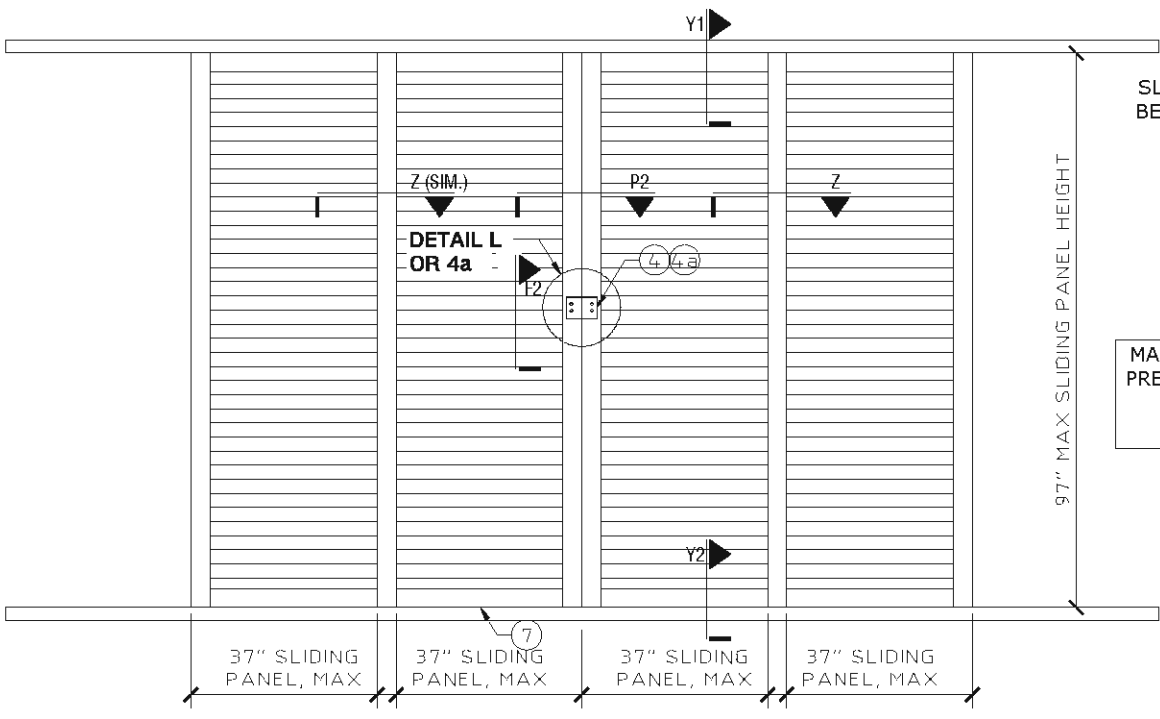
X1 ELEVATION: 2 HINGED AND 2 SLIDING PANELS
SCALE: N.T.S.



X2 ELEVATION: 1 HINGED AND 2 SLIDING PANELS
SCALE: N.T.S.



X5 ELEVATION: 2 SLIDING PANELS
SCALE: N.T.S.

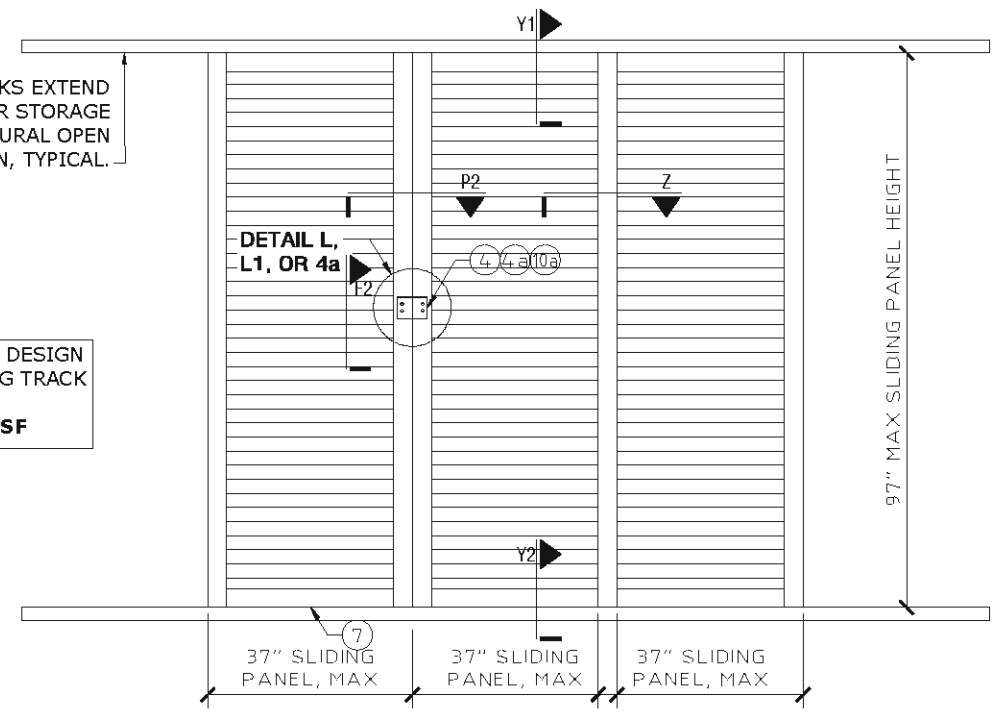


X3 ELEVATION: 4 SLIDING PANELS
SCALE: N.T.S.

SLIDING PANEL TRACKS EXTEND BEYOND FOR SHUTTER STORAGE IN NON-STRUCTURAL OPEN POSITION, TYPICAL.

MAXIMUM ALLOWABLE DESIGN PRESSURE FOR SLIDING TRACK OPTION:
+57.2 / -66.2 PSF

NOTE SLIDING PANEL CONSTRUCTION SAME AS HINGED PANELS.



X4 ELEVATION: 3 SLIDING PANELS
SCALE: N.T.S.

C:\Users\rickn\Engineering Express\Production - Documents\Projects\20-29009 - FL21861.1 - Full View Colonial Shutter Hybrid (HVHZ & Non-HVHZ)\WP1\2020 FBC\20-29009d - FL21861.1 - DWG.dwg
09/12/2020 - 9:15pm rickn



ENGINEERING EXPRESS
CORPORATE OFFICE:
160 SW 12th AVE, SUITE 106
DEERFIELD BEACH, FL 33442
(954) 354-0660 | (866) 396-9999
TEAM@ENGINEERINGEXPRESS.COM
ENGINEERINGEXPRESS.COM

AMERICAN SHUTTER PRODUCTS, INC.
DBA **croci** NORTH AMERICA
11600 ADELMO LANE • FT. MYERS, FL 33966
TEL: (239) 278-3066 • FAX: (239) 278-5977 • FL21861.1

REMARKS	DRWN	CHKD	DATE
INIT ISSUE	KL	FLB	12/20/12
2014 FBC	RWN	TSB	4/18/15
REV - ADD 4" BLADE	RWN	FLB	9/28/16
2017 FBC	RWN	FLB	8/07/17
2020 FBC	CCB	RWN	7/01/20

THIS DOCUMENT IS THE PROPERTY OF FRANK L. BENNARDO, P.E. AND SHALL NOT BE REPRODUCED, COPIED, OR TRANSMITTED IN ANY FORM OR BY ANY MEANS, WITHOUT THE WRITTEN PERMISSION OF FRANK L. BENNARDO, P.E. *ALTERATIONS, ADDITIONS, EXHIBITS, OR OTHER MARKINGS TO THIS DOCUMENT ARE NOT PERMITTED AND INVALIDATE OUR CERTIFICATION.

COPYRIGHT FRANK L. BENNARDO P.E.

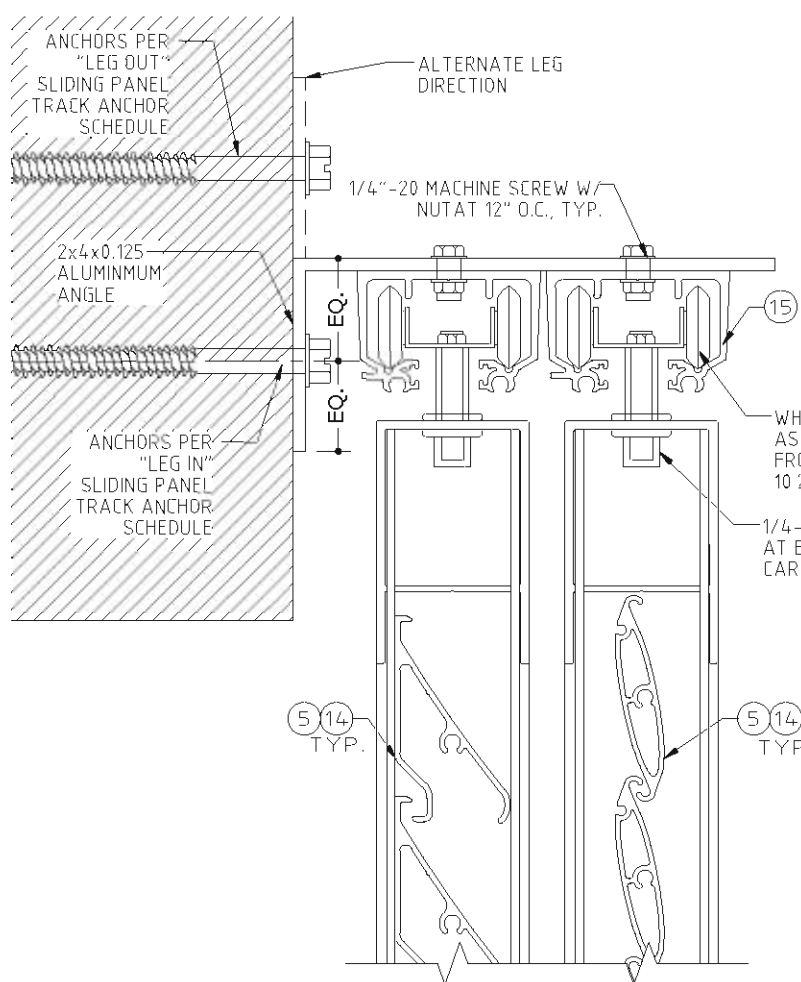
20-29009

SCALE: -

PAGE DESCRIPTION:

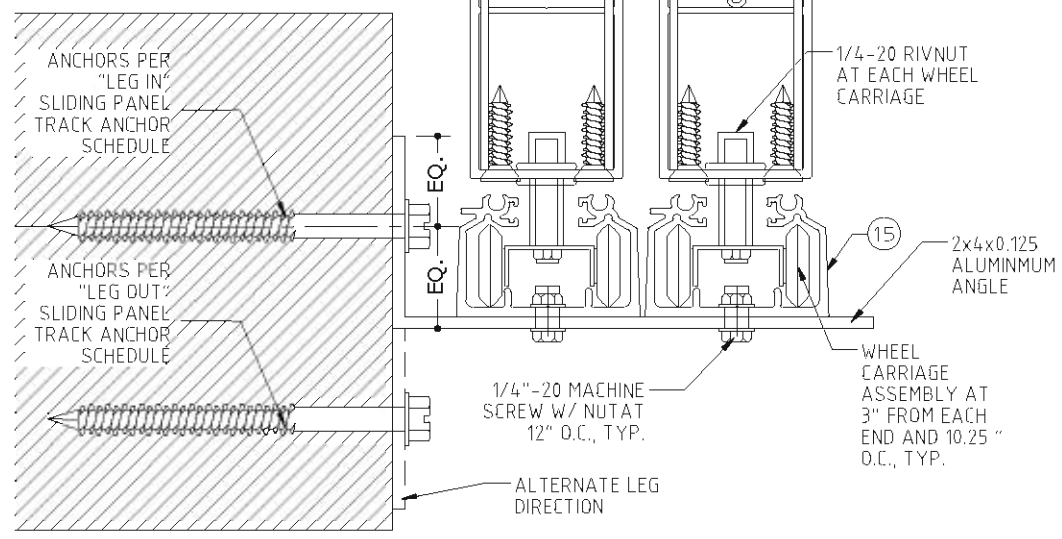
-

7

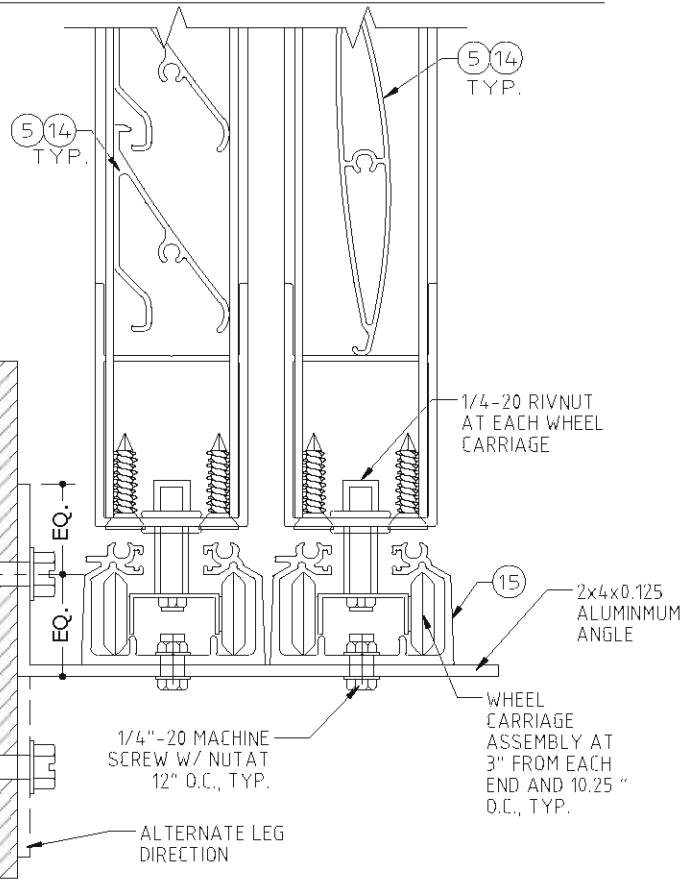


Y1 SLIDING PANEL TOP TRACK
SCALE: N.T.S.

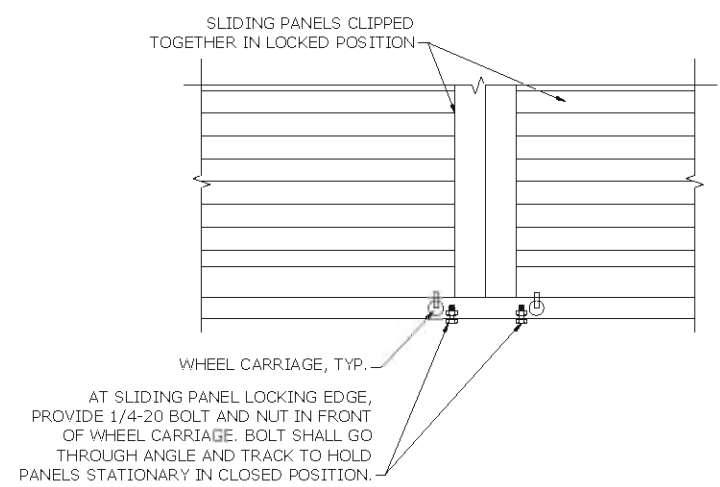
MAXIMUM ALLOWABLE DESIGN PRESSURE FOR SLIDING TRACK OPTION:
+57.2 / -66.2 PSF



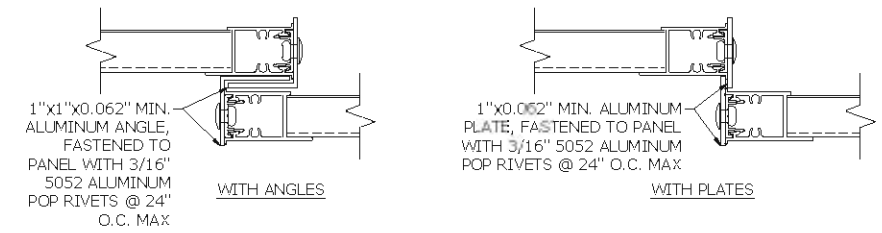
Y2 SLIDING PANEL BOTTOM TRACK
SCALE: N.T.S.



Z SLIDING PANEL INTERLOCK
SCALE: N.T.S.



ZZ WHEEL CARRIAGE STOPS FOR SLIDING PANELS
SCALE: N.T.S.



"LEG IN" SLIDING PANEL TRACK ANCHOR SCHEDULE:

HOST STRUCTURE	ANCHOR	SLIDING PANEL VERTICAL SPAN					
		36"	48"	60"	72"	84"	97"
CONCRETE (3192 PSI MIN.)	1/4" ITW SS TAPCONS W/ 1-3/4" MIN. EMBEDMENT AND 2-1/2" MIN. EDGE DISTANCE	16" O.C.	16" O.C.	16" O.C.	16" O.C.	16" O.C.	16" O.C.
	1/4" DEWALT ULTRACON W/ 1-3/4" MIN. EMBEDMENT AND 2-1/2" MIN. EDGE DISTANCE	16" O.C.	16" O.C.	16" O.C.	16" O.C.	16" O.C.	16" O.C.
CONCRETE (3500 PSI MIN.)	1/4" MILLENIUM MILLFAST W/ 1-3/4" MIN. EMBEDMENT AND 2-1/2" MIN. EDGE DISTANCE	16" O.C.	16" O.C.	16" O.C.	16" O.C.	16" O.C.	16" O.C.
HOLLOW CONCRETE BLOCK	1/4" MILLENIUM MILLFAST W/ 1-1/4" MIN. EMBEDMENT AND 2-1/2" MIN. EDGE DISTANCE	16" O.C.	13" O.C.	11" O.C.	9" O.C.	8" O.C.	7" O.C.
	1/4" ITW SS TAPCONS W/ 1-1/4" MIN. EMBEDMENT AND 2-1/2" MIN. EDGE DISTANCE	15" O.C.	12" O.C.	9" O.C.	8" O.C.	7" O.C.	6" O.C.
	1/4" DEWALT ULTRACON W/ 1-1/4" MIN. EMBEDMENT AND 2-1/2" MIN. EDGE DISTANCE	16" O.C.	13" O.C.	10" O.C.	8" O.C.	7" O.C.	6" O.C.
	5/16" ITW TAPCON XL W/ 1-3/4" MIN. EMBEDMENT AND 4" MIN. EDGE DISTANCE.	16" O.C.	16" O.C.	15" O.C.	13" O.C.	11" O.C.	9" O.C.
	5/16" DEWALT ULTRACON W/ 1-1/4" MIN. EMBEDMENT AND 3-1/8" MIN. EDGE DISTANCE	16" O.C.	16" O.C.	16" O.C.	14" O.C.	12" O.C.	10" O.C.
WOOD (G=0.42 MIN.)	1/4" LAG SCREW W/ 1-1/2" MIN. EMBEDMENT AND 3/4" MIN. EDGE DISTANCE	16" O.C.	16" O.C.	16" O.C.	16" O.C.	16" O.C.	16" O.C.
	#14 SMS OR WOOD SCREW W/ 1-1/2" MIN. EMBEDMENT AND 3/4" MIN. EDGE DISTANCE.	16" O.C.	16" O.C.	16" O.C.	16" O.C.	15" O.C.	13" O.C.

NOTES: TABLE PROVIDES MAXIMUM ANCHOR SPACING FOR INDICATED ANCHOR TYPES AND SLIDING PANEL VERTICAL SPANS FOR "LEG IN" CONDITION. ANCHORS SHALL BE LOCATED 2" MAX FROM TRACK ENDS.
*MILLENIUM MILLFAST SCREWS SHALL HAVE T&C ULTRACOTE

"LEG OUT" SLIDING PANEL TRACK ANCHOR SCHEDULE:

HOST STRUCTURE	ANCHOR	SLIDING PANEL VERTICAL SPAN					
		36"	48"	60"	72"	84"	97"
CONCRETE (3192 PSI MIN.)	1/4" ITW SS TAPCONS W/ 1-3/4" MIN. EMBEDMENT AND 2-1/2" MIN. EDGE DISTANCE	16" O.C.	13" O.C.	10" O.C.	9" O.C.	7" O.C.	6" O.C.
	1/4" DEWALT ULTRACON W/ 1-3/4" MIN. EMBEDMENT AND 2-1/2" MIN. EDGE DISTANCE	16" O.C.	16" O.C.	13" O.C.	11" O.C.	9" O.C.	8" O.C.
CONCRETE (3500 PSI MIN.)	1/4" MILLENIUM MILLFAST W/ 1-3/4" MIN. EMBEDMENT AND 2-1/2" MIN. EDGE DISTANCE	16" O.C.	13" O.C.	10" O.C.	9" O.C.	7" O.C.	6" O.C.
HOLLOW CONCRETE BLOCK	1/4" MILLENIUM MILLFAST W/ 1-1/4" MIN. EMBEDMENT AND 2-1/2" MIN. EDGE DISTANCE	7" O.C.	5" O.C.	4" O.C.			
	1/4" ITW SS TAPCONS W/ 1-1/4" MIN. EMBEDMENT AND 2-1/2" MIN. EDGE DISTANCE	6" O.C.	4" O.C.	4" O.C.	3" O.C.	3" O.C.	
	1/4" DEWALT ULTRACON W/ 1-1/4" MIN. EMBEDMENT AND 2-1/2" MIN. EDGE DISTANCE	6" O.C.	5" O.C.	4" O.C.	3" O.C.	3" O.C.	
	5/16" ITW TAPCON XL W/ 1-3/4" MIN. EMBEDMENT AND 4" MIN. EDGE DISTANCE.	10" O.C.	7" O.C.	6" O.C.	5" O.C.	4" O.C.	4" O.C.
	5/16" DEWALT ULTRACON W/ 1-1/4" MIN. EMBEDMENT AND 3-1/8" MIN. EDGE DISTANCE	10" O.C.	8" O.C.	6" O.C.			
WOOD (G=0.42 MIN.)	1/4" LAG SCREW W/ 1-1/2" MIN. EMBEDMENT AND 3/4" MIN. EDGE DISTANCE	16" O.C.	14" O.C.	11" O.C.	10" O.C.	8" O.C.	7" O.C.
	#14 SMS OR WOOD SCREW W/ 1-1/2" MIN. EMBEDMENT AND 3/4" MIN. EDGE DISTANCE.	13" O.C.	10" O.C.	8" O.C.	7" O.C.	6" O.C.	5" O.C.

NOTES: TABLE PROVIDES MAXIMUM ANCHOR SPACING FOR INDICATED ANCHOR TYPES AND SLIDING PANEL VERTICAL SPANS FOR ALTERNATE "LEG OUT" CONDITION. ANCHORS SHALL BE LOCATED 2" MAX FROM TRACK ENDS.
*MILLENIUM MILLFAST SCREWS SHALL HAVE T&C ULTRACOTE



ENGINEERING EXPRESS
CORPORATE OFFICE:
160 SW 12th AVE, SUITE 106
DEERFIELD BEACH, FL 33442
(954) 354-0660 | (866) 996-9999
TEAM@ENGINEERINGEXPRESS.COM
ENGINEERINGEXPRESS.COM

AMERICAN SHUTTER PRODUCTS, INC.
NORTH AMERICA
DBA **croci** NORTH AMERICA
11600 ADELMO LANE • FT. MYERS, FL 33966
TEL: (239) 278-3066 • FAX: (239) 278-5977 • FL21861.1

REMARKS	DRWN	CHKD	DATE
INIT ISSUE	KL	FLB	12/20/12
2014 FBC	RWN	TSB	4/18/15
REV - ADD 4" BLADE	RWN	FLB	9/28/16
2017 FBC	RWN	FLB	8/07/17
2020 FBC	CCB	RWN	7/01/20

THIS DOCUMENT IS THE PROPERTY OF FRANK L. BENNARDO, P.E. AND SHALL NOT BE REPRODUCED, COPIED, OR TRANSMITTED IN ANY FORM OR BY ANY MEANS, WITHOUT THE WRITTEN PERMISSION OF FRANK L. BENNARDO, P.E. *ALTERATIONS, ADDITIONS, DELETIONS, OR OTHER MODIFICATIONS TO THIS DOCUMENT ARE NOT PERMITTED AND INVALIDATE OUR CERTIFICATION.

COPYRIGHT FRANK L. BENNARDO P.E.

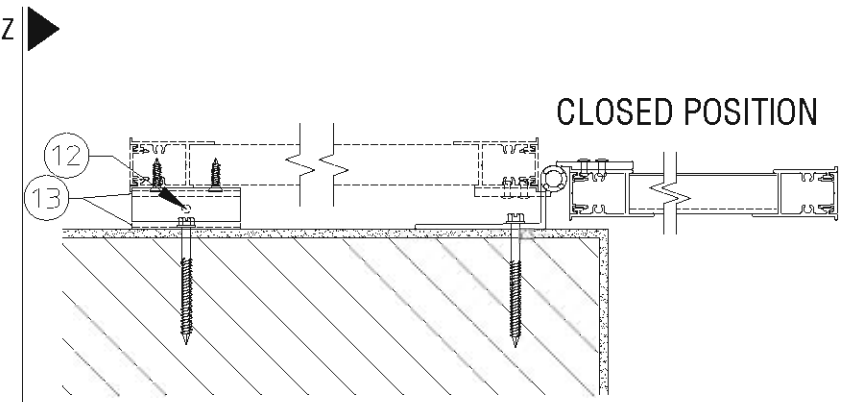
20-29009

SCALE: -

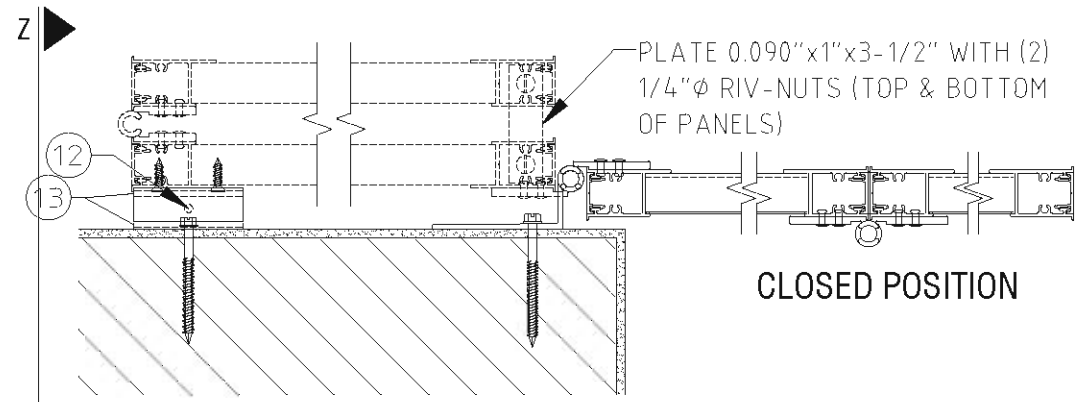
PAGE DESCRIPTION:

7 of 7

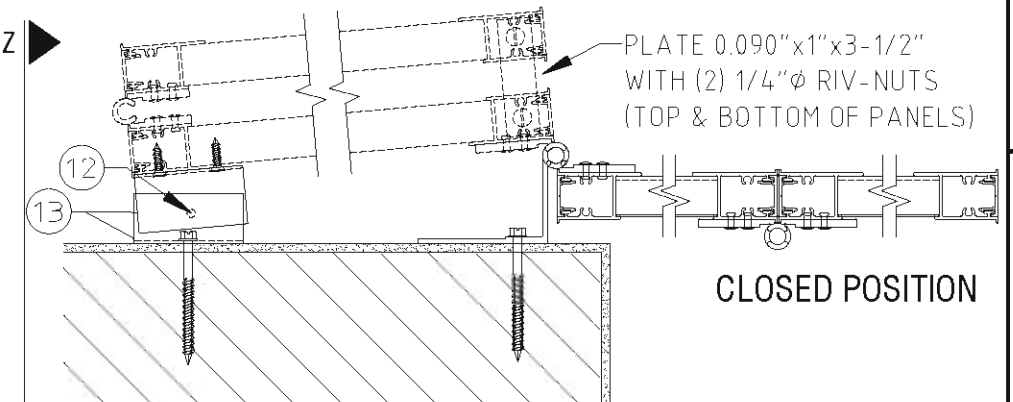
7



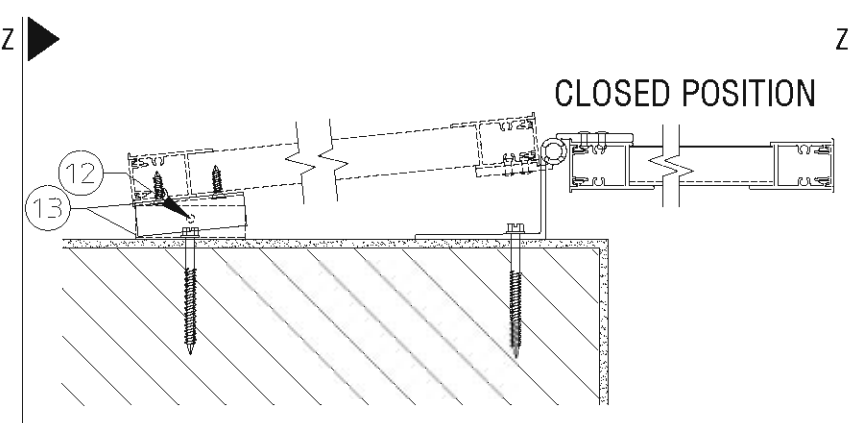
R PLAN VIEW 1
SCALE: 1-1/2" = 1'-0"



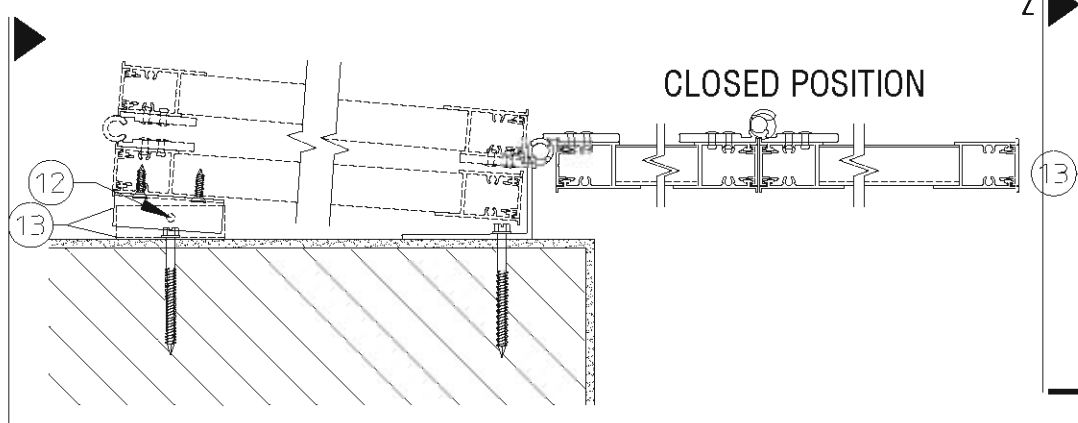
S PLAN VIEW 2
SCALE: 1-1/2" = 1'-0"



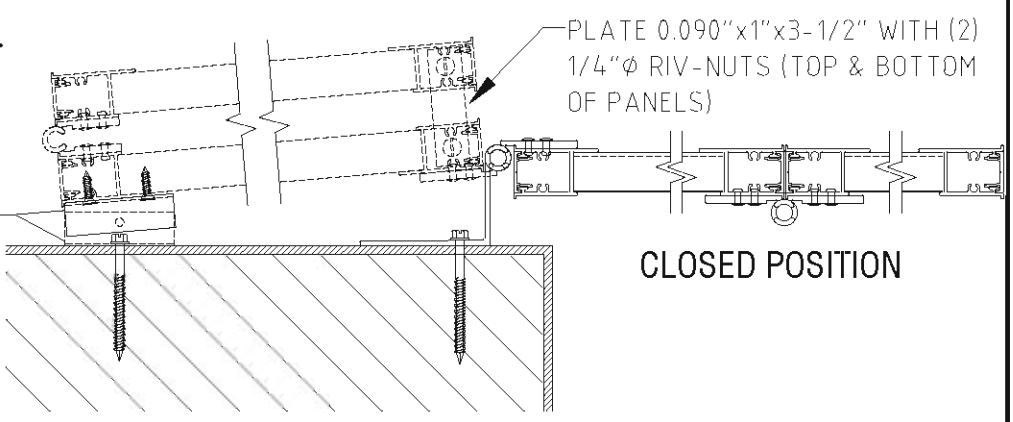
T PLAN VIEW 3
SCALE: 1-1/2" = 1'-0"



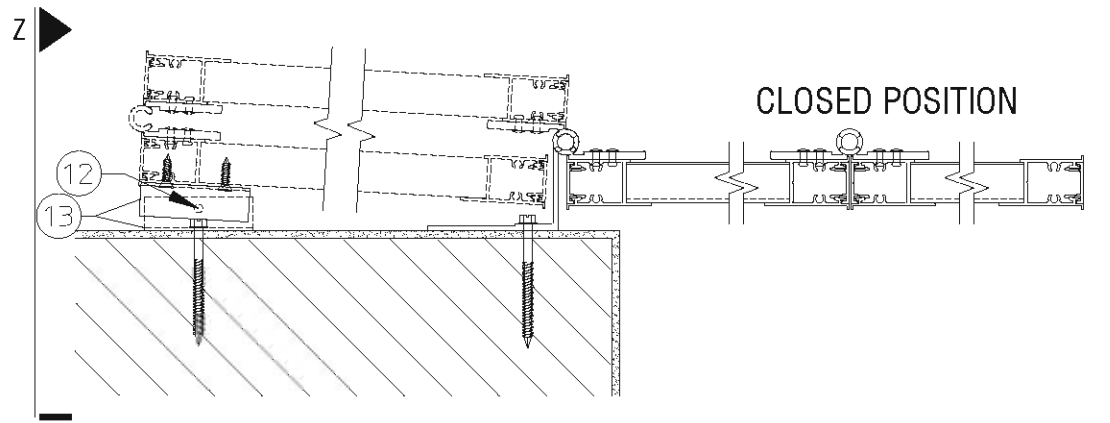
U PLAN VIEW 4
SCALE: 1-1/2" = 1'-0"



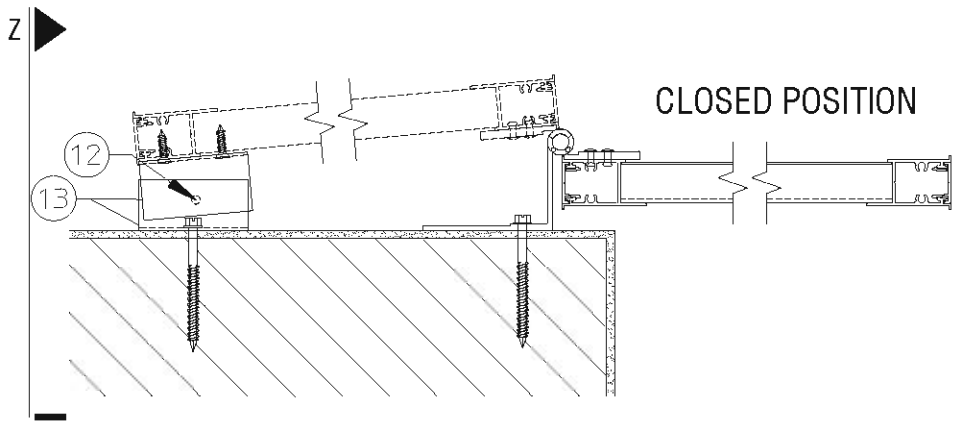
V PLAN VIEW 5
SCALE: 1-1/2" = 1'-0"



Y PLAN VIEW 8
SCALE: 1-1/2" = 1'-0"



W PLAN VIEW 7
SCALE: 1-1/2" = 1'-0"



X PLAN VIEW 6
SCALE: 1-1/2" = 1'-0"

C:\Users\rickn\Engineering\Express\Production - Documents\Projects\20-29009 - FL21861.1 - FullView Colonial Shutter Hybrid (HVHZ & Non-HVHZ)\WP12020 FBC\20-29009d - FL21861.1 - DWG.dwg
09/12/2020 - 9:15pm rickn